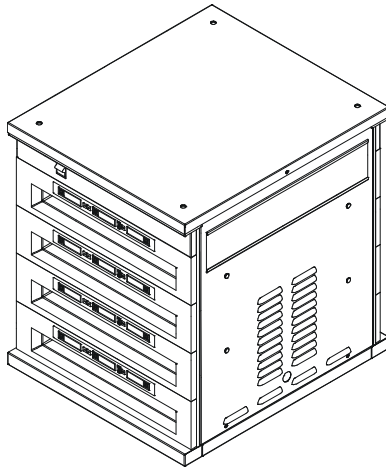




**U.H.C.  
UNIVERSAL HOLDING CABINET  
REPLACEMENT PARTS LIST**



**EFFECTIVE SEPTEMBER 12, 2002**

**BLODGETT OVEN COMPANY**, 44 Lakeside Avenue, Burlington, Vermont 05401 USA

Telephone: (802) 860-3700 (800) 331-5842 Fax: (802) 860-3732

*www.blodgett.com*

Superseding All Previous Parts Lists.

The Company reserves the right to make substitution in the event that items specified are not available.

ERRORS: Descriptive and/or typographic errors are subject to correction.

**www.blodgett.com**

**IMPORTANT: When ordering parts, please provide the model, gas type and serial number of the oven. The identification plate is located on the rear of the unit in the top right hand corner.**

# U.H.C. UNIVERSAL HOLDING CABINET

September 12, 2002

ASAP Distributor Required Stocking Parts

2

## ELECTRICAL COMPONENTS

<u>Ref. No.</u>	<u>Part No.</u>	<u>Description</u>
	34015	Cord Set, 6FT, 1PH, Locking
	34341	Cord Assy, 6FT 1PH Water Tight
	34783	Cord Set, 6FT, Twist-lock w/Safety Shroud
	31958	Harness, Probe (w/molex connector)
	31959	Harness, Element
	33519	Harness, Power Switch
	33520	Harness, Power Board
	33521	Harness, Communications
	<input checked="" type="checkbox"/> 34125	Harness, Ribbon Cable, Single (Qty 8 per Oven)
	31937	Terminal Block
	33564	Varistor, MOV 140 Joules
12	<input checked="" type="checkbox"/> 33565	Rocker Switch, DPST
11	34101	Shelf Assy (Includes Element, Probe & Insulation ) (4 per Unit)
20	<input checked="" type="checkbox"/> 34685	Liner Bottom & Heater (Includes Element & Probe)
5	<input checked="" type="checkbox"/> 34684	Liner Top & Heater (Includes Element & Probe)
	<input checked="" type="checkbox"/> 34952	Gasket Kit, Liner Tape (for sgl shelf)
10	34100	Blower & Support Assy.
	34474	Fuse, 1.5 Amp, Time Delay (After 3/31/98 or S.N. 033198UB150S)

## CONTROL PLATE COMPONENTS

<u>Ref. No.</u>	<u>Part No.</u>	<u>Description</u>
1	31952	Control Plate & Rod Assy
6	<input checked="" type="checkbox"/> 35575	Transformer & Thermistor Kit 200-240V to 18V
2	<input checked="" type="checkbox"/> 31961	Control Board, Shelf (4 per Unit)
3	<input checked="" type="checkbox"/> 31962	Control, Mother Board (1 per Unit)
	35139	Chip Kit Upgrade, Mother Board
4	18268	Spacer, Nylon (5 per Unit)

## EXTERIOR COMPONENTS

<u>Ref. No.</u>	<u>Part No.</u>	<u>Description</u>
	20435	Legs, 4" (Set of 4)
17	33803	Body Side Assy, LH
	31936	Drip Deflector
16	33804	Body Side Assy, RH
18	33802	Body Top
13	31943	Back Panel
19	31942	Front Panel
	33558	Guide, Reference
	33557	Brush
	34091	Maintenance Card
	34092	Instruction Video
	34612	Spatula, Almond color
	34613	Spatula, Black color
	34052	Gasket, Bottom Trim

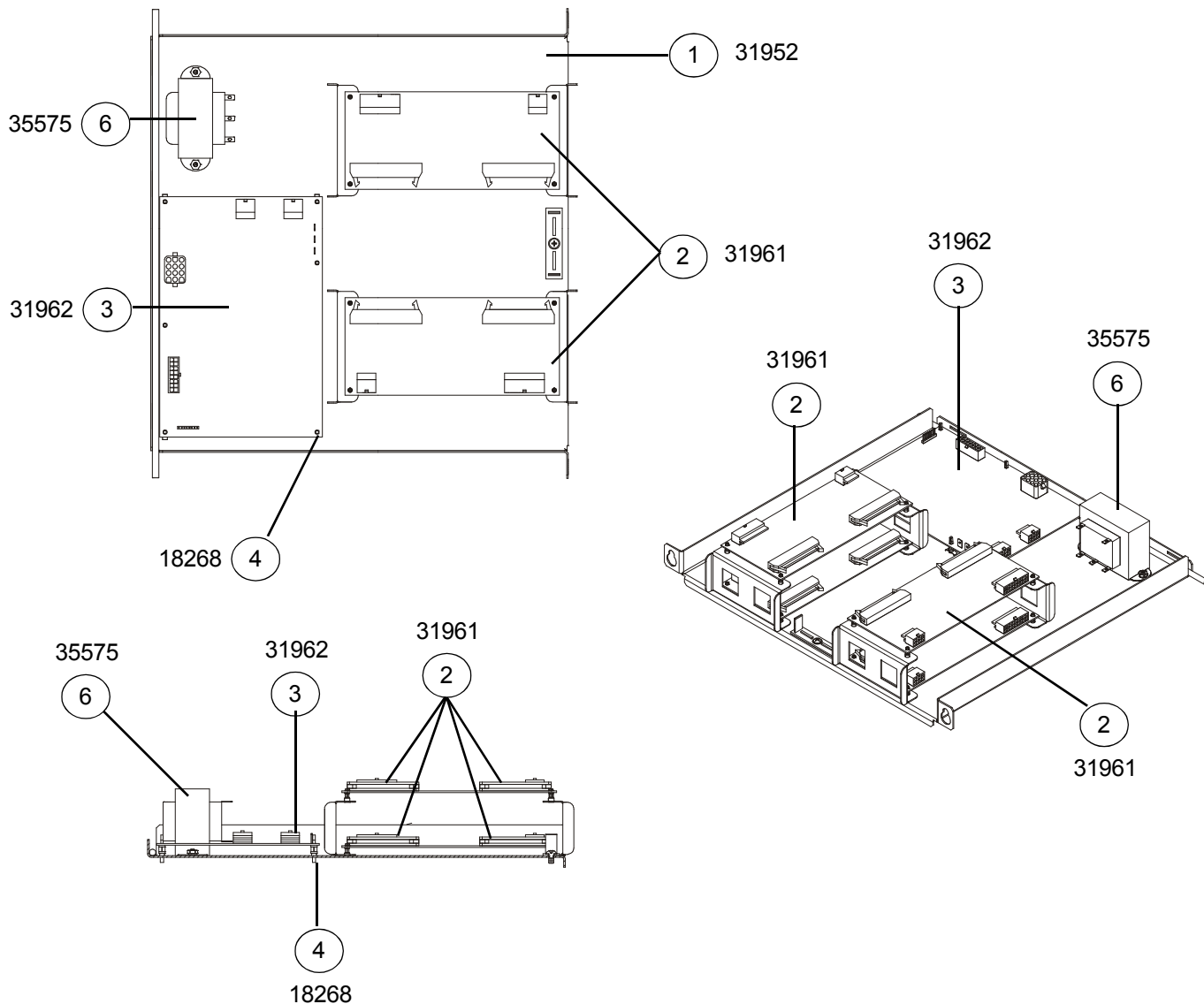
## BEZEL COMPONENTS

<u>Ref. No.</u>	<u>Part No.</u>	<u>Description</u>
9	<input checked="" type="checkbox"/> 31964	Rear Control Membrane (timers only)
7	<input checked="" type="checkbox"/> 33805	Control, Display
8	<input checked="" type="checkbox"/> 31963	Front Control Membrane ("Enter, Menu, Page", and timers)
14	34102	Bezel Assy, Front (Includes Membrane & Gasket)
15	34103	Bezel Assy, Rear (Includes Membrane & Gasket)
	<input checked="" type="checkbox"/> 33828	Gasket, Bezel (Sgl) w/o adhesive
	34523	Gasket Kit, Bezel w/adhesive
	35908	Adhesive, Pro-Grip 4000 (for gaskets)

## EXCLUSIVE TO CE

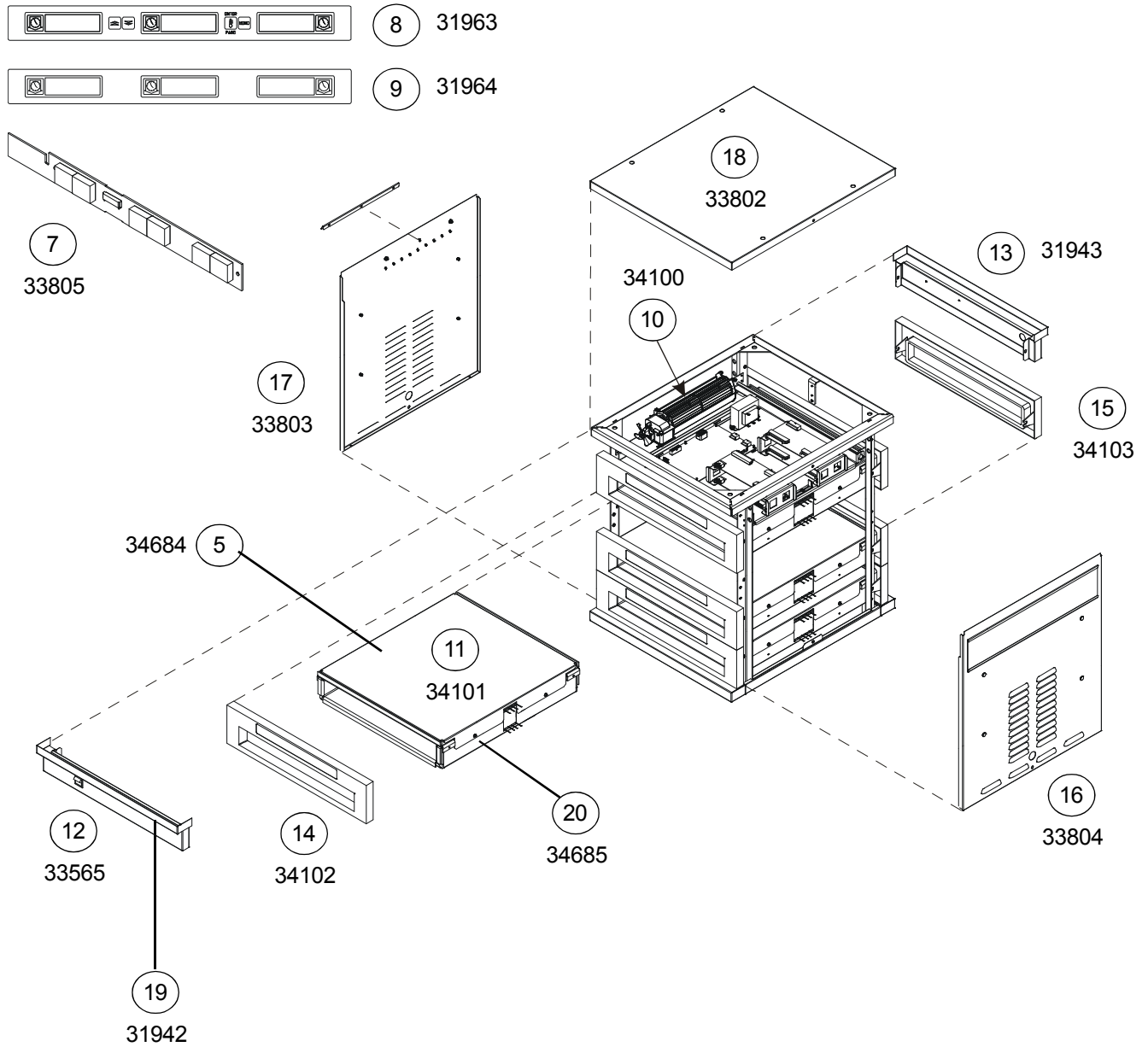
<u>Ref. No.</u>	<u>Part No.</u>	<u>Description</u>
	XXXXX	Line Filter Kit CE
	35409	Maintenance Card, Danish
	35410	Maintenance Card, Dutch
	35411	Maintenance Card, French
	35412	Maintenance Card, German
	35413	Maintenance Card, Italian
	35414	Maintenance Card, Portugese
	35415	Maintenance Card, Spanish
	35416	Maintenance Card, Swedish
	35417	Maintenance Card, Polish
	35194	Cord Assy, 1PH, Locking, 90° Plug CE
	35195	Cord Assy, 1PH, Watertight CE
	35199	Cord Assy, 1PH, Locking, Straight Plug CE

### CONTROL PLATE ASSEMBLY



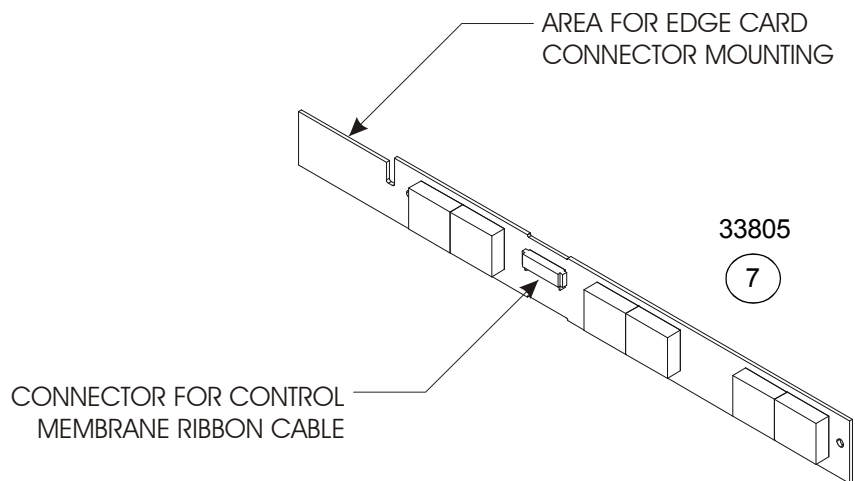
Reference No.	Part No.	Description	Qty. per Oven
1	31952	Plate & Rod Assy., Control	1
2	31961	Control Board, UHC Shelf	4
3	31962	Control Mother Board	1
4	18268	Spacer, Nylon	5
6	35575	Transformer, 200V-240V to 18V	1

### EXPLODED EXTERIOR VIEW

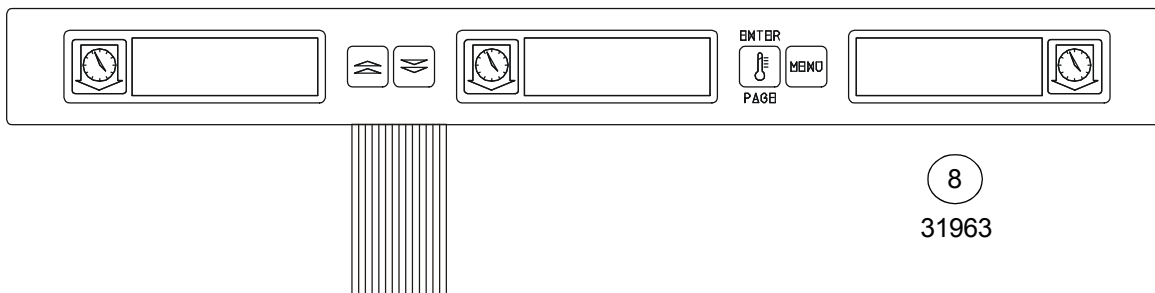


### BEZEL ASSEMBLY COMPONENTS

#### Display Control (8 per oven)



#### Front Control Membrane (4 per oven)



#### Rear Control Membrane (4 per oven)

