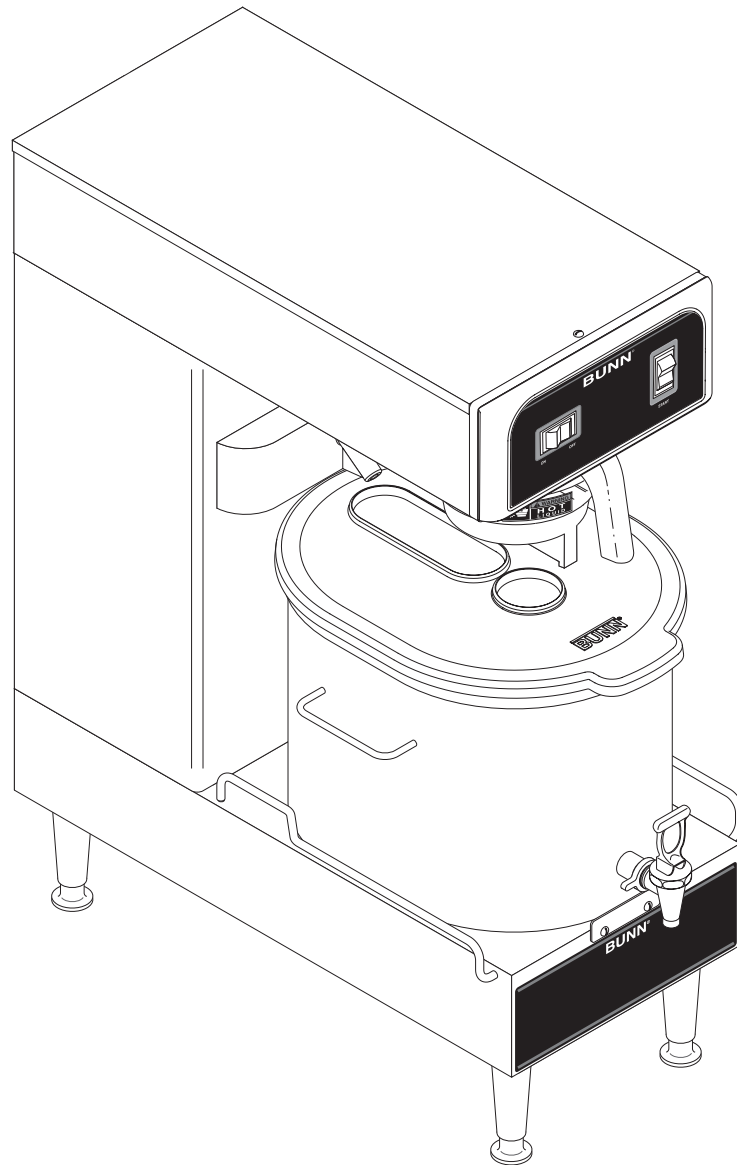


# **BUNN**<sup>®</sup>

# ***TB3Q-LP***



## **ILLUSTRATED PARTS CATALOG**

Designs, materials, weights, specifications, and dimensions for equipment or replacement parts are subject to change without notice.

**BUNN-O-MATIC CORPORATION**

**POST OFFICE BOX 3227**

**SPRINGFIELD, ILLINOIS 62708-3227**

**PHONE: (217) 529-6601 FAX: (217) 529-6644**

## **BUNN-O-MATIC COMMERCIAL PRODUCT WARRANTY**

Bunn-O-Matic Corp. ("BUNN") warrants equipment manufactured by it as follows:

- 1) All equipment other than as specified below: 2 years parts and 1 year labor.
- 2) Electronic circuit and/or control boards: parts and labor for 3 years.
- 3) Compressors on refrigeration equipment: 5 years parts and 1 year labor.
- 4) Grinding burrs on coffee grinding equipment to grind coffee to meet original factory screen sieve analysis: parts and labor for 3 years or 30,000 pounds of coffee, whichever comes first.

These warranty periods run from the date of installation BUNN warrants that the equipment manufactured by it will be commercially free of defects in material and workmanship existing at the time of manufacture and appearing within the applicable warranty period. This warranty does not apply to any equipment, component or part that was not manufactured by BUNN or that, in BUNN's judgment, has been affected by misuse, neglect, alteration, improper installation or operation, improper maintenance or repair, damage or casualty. This warranty is conditioned on the Buyer 1) giving BUNN prompt notice of any claim to be made under this warranty by telephone at (217) 529-6601 or by writing to Post Office Box 3227, Springfield, Illinois 62708-3227; 2) if requested by BUNN, shipping the defective equipment prepaid to an authorized BUNN service location; and 3) receiving prior authorization from BUNN that the defective equipment is under warranty.

**THE FOREGOING WARRANTY IS EXCLUSIVE AND IS IN LIEU OF ANY OTHER WARRANTY, WRITTEN OR ORAL, EXPRESS OR IMPLIED, INCLUDING, BUT NOT LIMITED TO, ANY IMPLIED WARRANTY OF EITHER MERCHANTABILITY OR FITNESS FOR A PARTICULAR PURPOSE.** The agents, dealers or employees of BUNN are not authorized to make modifications to this warranty or to make additional warranties that are binding on BUNN. Accordingly, statements by such individuals, whether oral or written, do not constitute warranties and should not be relied upon.

If BUNN determines in its sole discretion that the equipment does not conform to the warranty, BUNN, at its exclusive option while the equipment is under warranty, shall either 1) provide at no charge replacement parts and/or labor (during the applicable parts and labor warranty periods specified above) to repair the defective components, provided that this repair is done by a BUNN Authorized Service Representative; or 2) shall replace the equipment or refund the purchase price for the equipment.

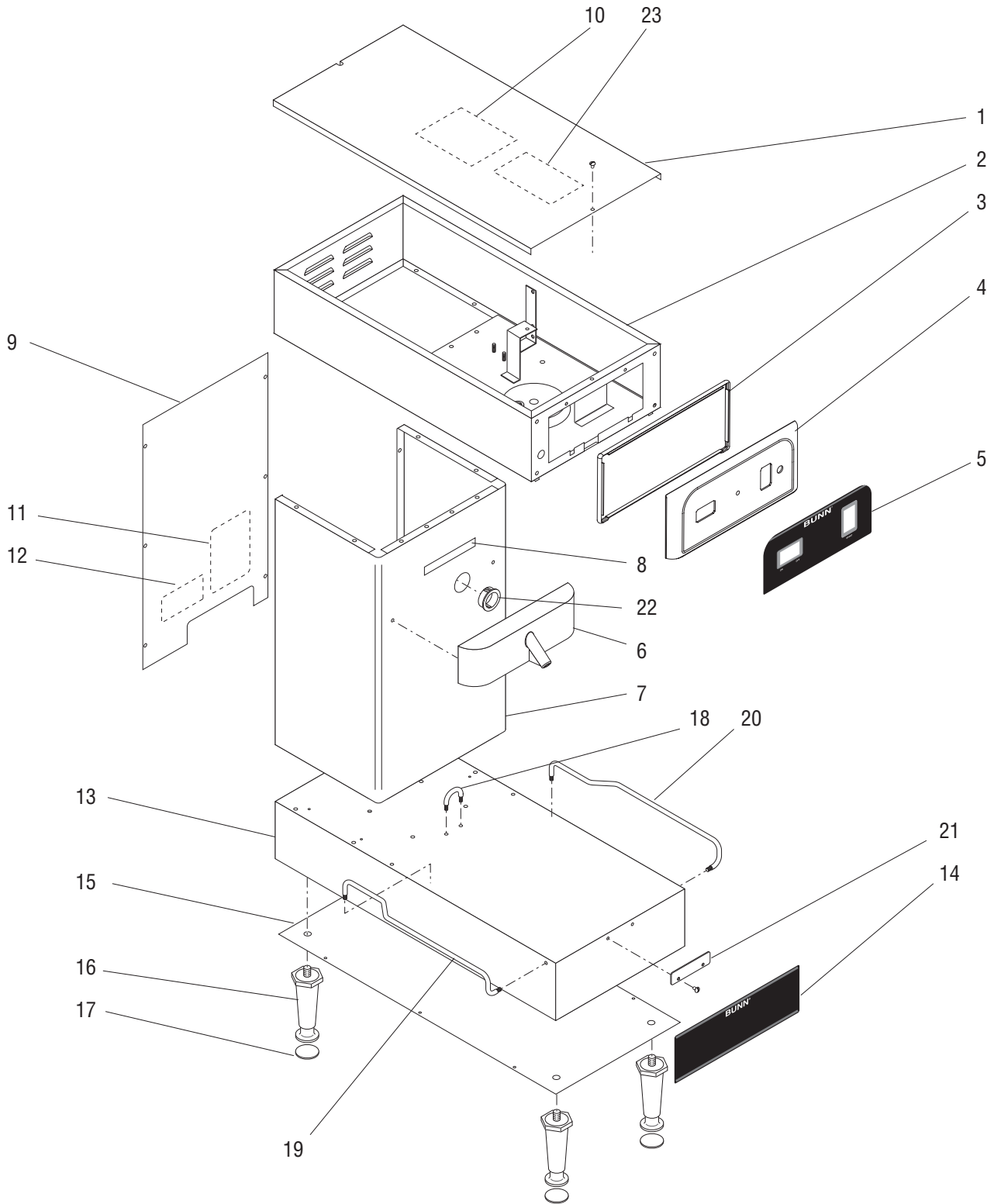
**THE BUYER'S REMEDY AGAINST BUNN FOR THE BREACH OF ANY OBLIGATION ARISING OUT OF THE SALE OF THIS EQUIPMENT, WHETHER DERIVED FROM WARRANTY OR OTHERWISE, SHALL BE LIMITED, AT BUNN'S SOLE OPTION AS SPECIFIED HEREIN, TO REPAIR, REPLACEMENT OR REFUND.**

In no event shall BUNN be liable for any other damage or loss, including, but not limited to, lost profits, lost sales, loss of use of equipment, claims of Buyer's customers, cost of capital, cost of down time, cost of substitute equipment, facilities or services, or any other special, incidental or consequential damages.

BUNN and TB3Q-LP are either trademarks or registered trademarks of Bunn-O-Matic Corporation.

## TABLE OF CONTENTS

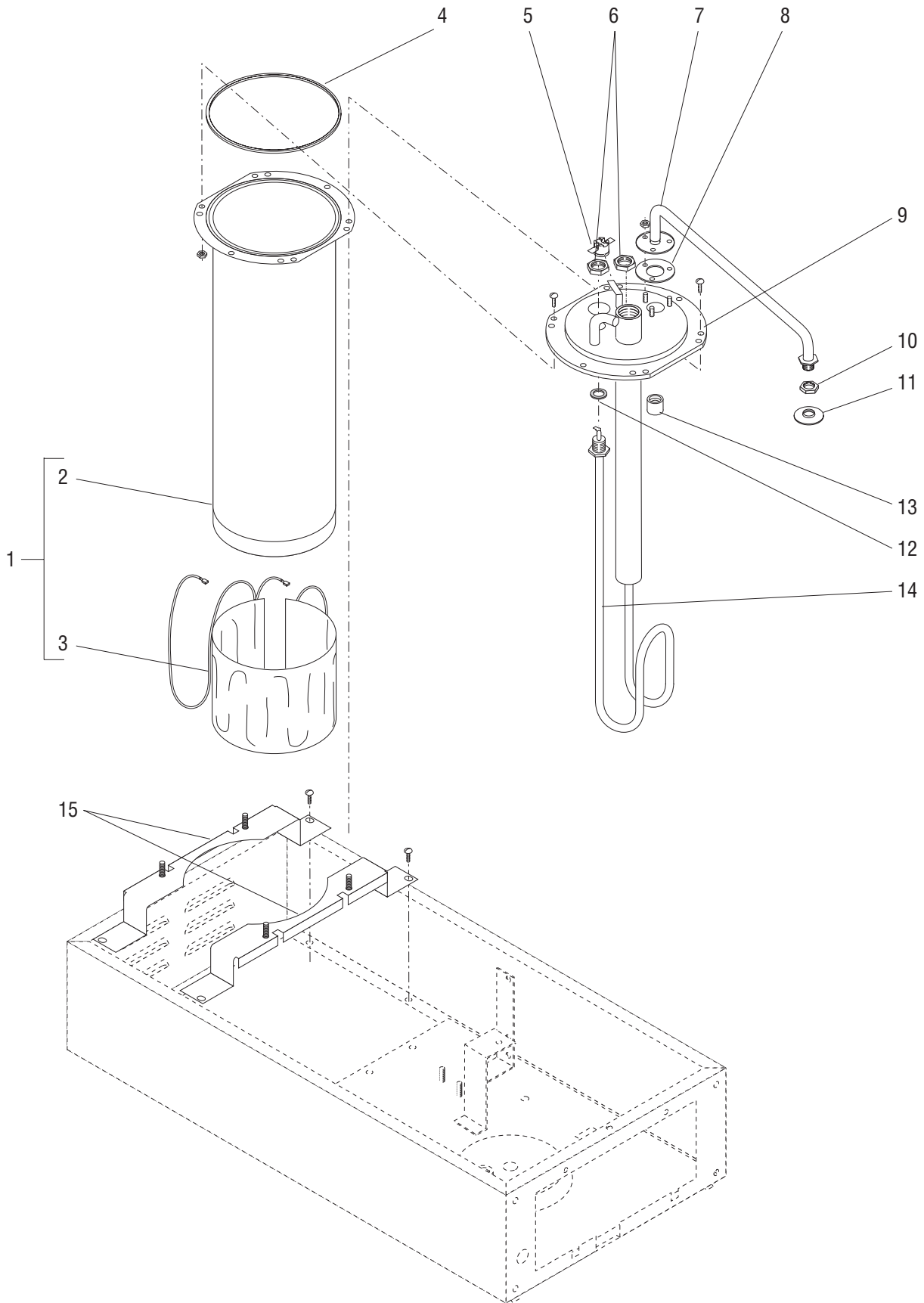
Electrical and Operating Controls .....	12
Funnel Assembly .....	14
Numerical Index .....	18
Server Assembly .....	16
Strainer/Flow Control, Solenoids and Lines .....	8
Tank Assembly .....	6
Top Cover, Hood, Trunk, Base and Panels .....	4



## TOP COVER, HOOD, TRUNK, BASE AND PANELS

ITEM	PART NO.	QTY.	DESCRIPTION
1	36355.0000	1	Cover, Top (Also order items 10 & 23)
	01308.0000	1	Screw, Truss Head #6-32 x .25"
2	36584.0001	1	Hood
	02308.0000	8	Screw, Pan Head #8-32 x .38"
3	36586.0000	1	Gasket
4	36580.0001	1	Bezel
	02308.0000	4	Screw, Pan Head #8-32 x .38"
5	36590.0000	1	Decal, Control Panel
6	36360.0000	1	Nozzle, Dilution
	02332.0002	2	Screw, Hex #6 x .38"
7	36594.0001	1	Trunk (Also order item 8)
	02308.0000	6	Screw, Pan Head #8-32 x .38"
8	03537.0000	1	Decal, Use Quick Brew Funnel
9	36997.0000	1	Panel, Back (Also order items 11 & 12)
	01311.0000	6	Screw, Truss Head #8-32 x .25"
10	37234.0001	1	Electrical Schematic
11	00831.0000	1	Decal, Warning - Electrical
12	00656.0000	1	Decal, Comply to Plumbing Code
13	36923.0000	1	Base
14	37573.0000	1	Decal, Decorative
15	36877.0000	1	Panel, Bottom
	02332.0002	8	Screw, Hex #6 x .38"
16	26528.0001	4	Leg, 4.0" Adjustable
17	03993.0000	4	Pad, Non-Skid
18	36412.0000	1	Rail, Stop
	00970.0000	2	Nut, Keps #8-32
19	36461.0000	1	Guide Rail, Left
	00970.0000	2	Nut, Keps #8-32
20	36462.0000	1	Guide Rail, Right
	00970.0000	2	Nut, Keps #8-32
21	37538.0000	1	Stop, Dispenser Front
	01308.0000	2	Screw, Truss Head #6-32 x .25"
22	01592.0001	1	Snap Bushing
23	32540.0000	1	Decal, Batch Set, Digital Timer

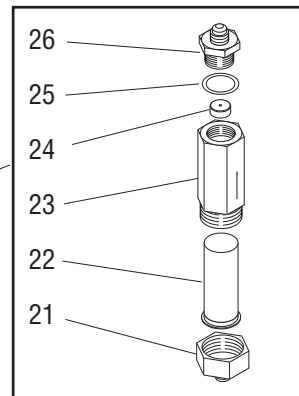
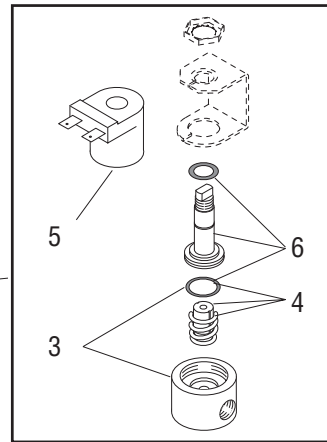
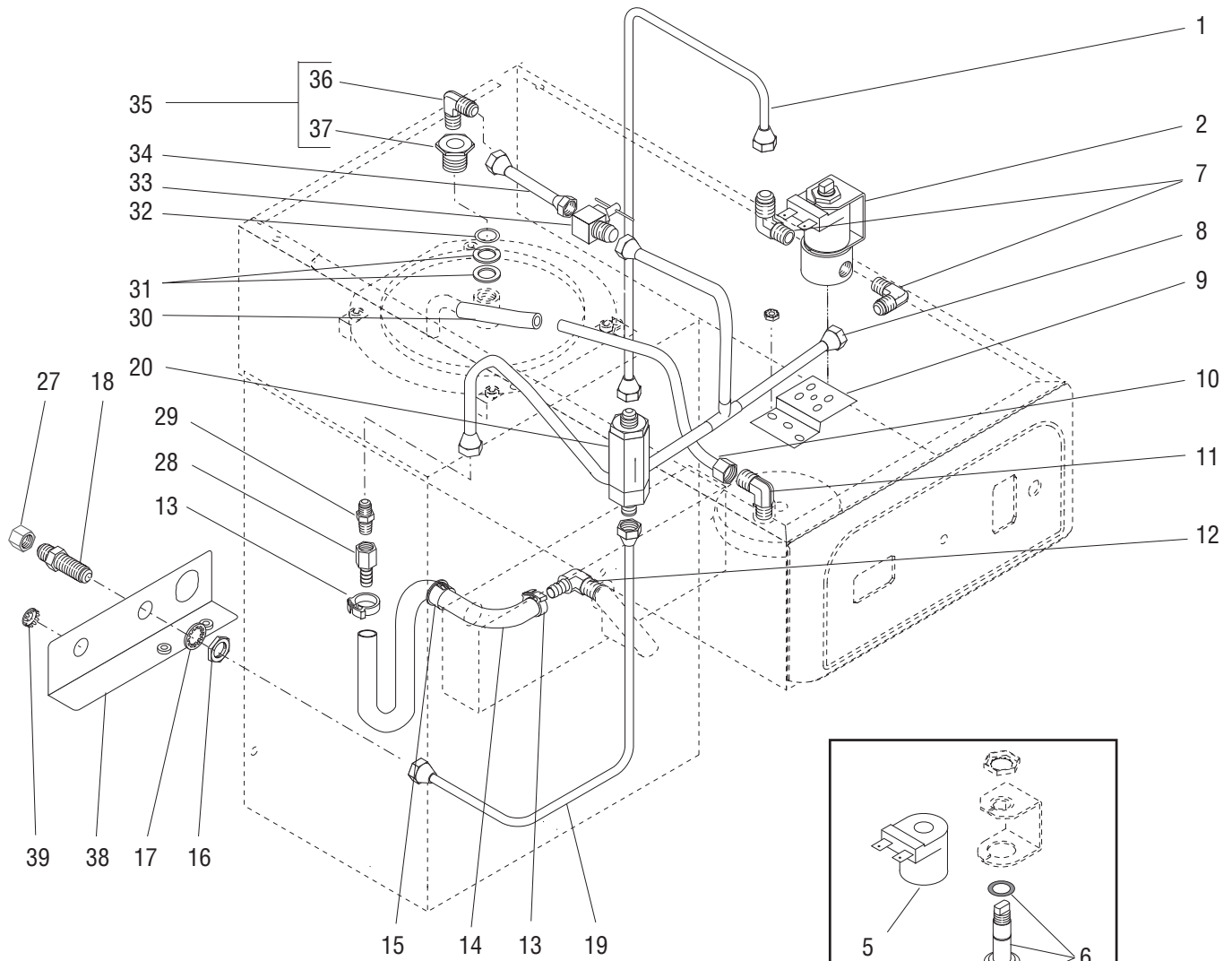
\* Indicates the part number listed is for reference only. See DESCRIPTION for possible service replacement.



## TANK ASSEMBLY

ITEM	PART NO.	QTY.	DESCRIPTION
-	05696.0000	1	Tank Assy, 1680W 120V (Includes Items 2 thru 9, 12, 13, 14 & 16)
	00908.0000	4	Nut, Hex #8-32
1	03045.0000	1	Tank W/Blanket Warmer 120V (Includes Items 2, 3)
2	03068.0001	1	Tank
3	03468.0000	1	Blanket Warmer, 120V
4	04844.0000	1	Gasket, Tank Lid
5	29329.0001	1	Thermostat, Limit 30 amp
6	00942.0000	2	Nut, Hex .50"-20
7	36576.0000	1	Sprayhead Tube Kit (Includes 3 Mounting Nuts below, Items 8 & 13)
	00908.0000	3	Nut, Hex #8-32
8	05515.0000	1	Gasket, Sprayhead Tube
9	03125.0000	1	Lid Assembly, Tank
	02337.0002	6	Screw, Hex Head Thread Forming #10 x .50"
10	01075.0000	1	Nut, Hex .438"-20
11	01082.0000	1	Sprayhead, 6 Hole
12	00943.0000	2	Gasket, Tank Heater
13	05518.0000	1	Syphon Hub
14	03070.1000	1	Tank Heater, 1680W 120V (Includes Item 12)
15	36582.0000	2	Bracket, Tank Mounting
	01315.0000	4	Screw, TRH #8-32 x .375"

\* Indicates the part number listed is for reference only. See DESCRIPTION for possible service replacement.



P3166

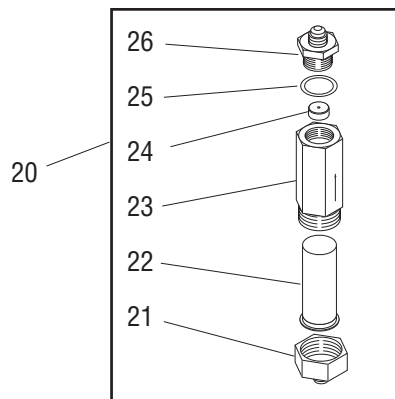
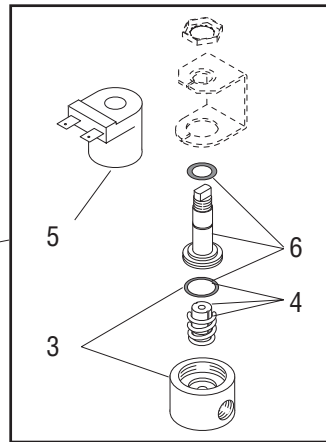
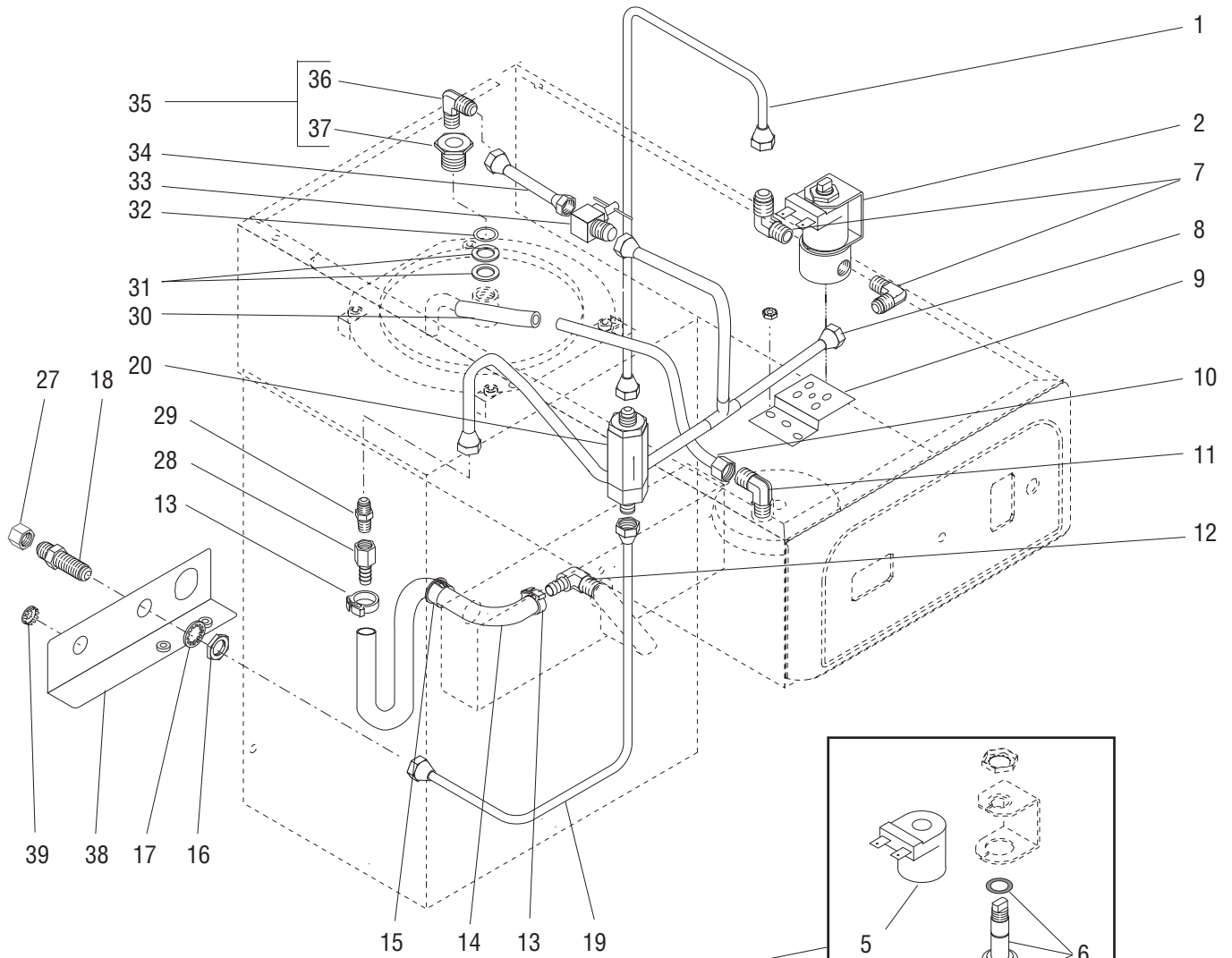
## STRAINER/FLOW CONTROL, SOLENOIDS AND LINES

ITEM	PART NO.	QTY.	DESCRIPTION
1	36597.0002	1	Tube Assy, Flow Control to Solenoid
2	01085.0002	1	Solenoid Valve (Includes Items 3-6)
	01327.0000	2	Screw PNH #10-32 x .375"
	01502.0000	2	Lockwasher #10
3	28479.0000	1	Base Kit (Includes O-Ring)
4	01111.0002	1	Valve Repair Kit (Includes Plunger, Spring & O-Ring)
5	28480.0000	1	Valve Coil (120V)
6	28481.0000	1	Guide Kit (Includes Washer & O-Ring)
7	00400.0001	2	Elbow .25" Flare x .125" MPT
8	21179.0000	1	Tube Assy, Needle Valve to Dilution (See Item 40)
9	07441.0000	1	Bracket, Solenoid Valve Mounting
	00970.0000	2	Nut, Keps #8-32
10	13003.0000	1	Tube Assy, Air Vent
11	21695.0001	1	Elbow .375" Compression x.125" MPT
12	00464.0001	1	Elbow .25" Barb x .125" MPT
13	12422.0000	2	Clamp
14	11707.0019*	1	Tube, Silicone .250" ID x 12.0" Lg (Order item 41)
15	01592.0001	1	Bushing, Snap 1.0" Dia
16	00463.0000	1	Nut, Hex .375" -20
17	01532.0000	1	Lockwasher, Internal Tooth - .438"
18	00459.0000	1	Fitting, Bulkhead
19	37093.0000	1	Tube Assy, Strainer/Flow Control to Bulkhead
20	22300.0750	1	Strainer/Flow Control .750 GPM (Includes Items 21-26)
21	22249.0000	1	Fitting, Flow Control Inlet
22	23721.0000	1	Screen
23	-----	1	Body (Not Serviced, Order Item 20)
24	20526.1750	1	Flow Washer/ Gasket Kit .750 GPM (Includes Item 25)
25	01155.0000	1	Gasket
26	01154.0000	1	Fitting, Flow Control Outlet
27	00935.0000	1	Cap, Brass .25" Flare (For shipping purposes only)
28	00469.0001	1	Connector .25" FPT x .25" Barb (See Item 40)

(Continued)

\* Indicates the part number listed is for reference only. See DESCRIPTION for possible service replacement.

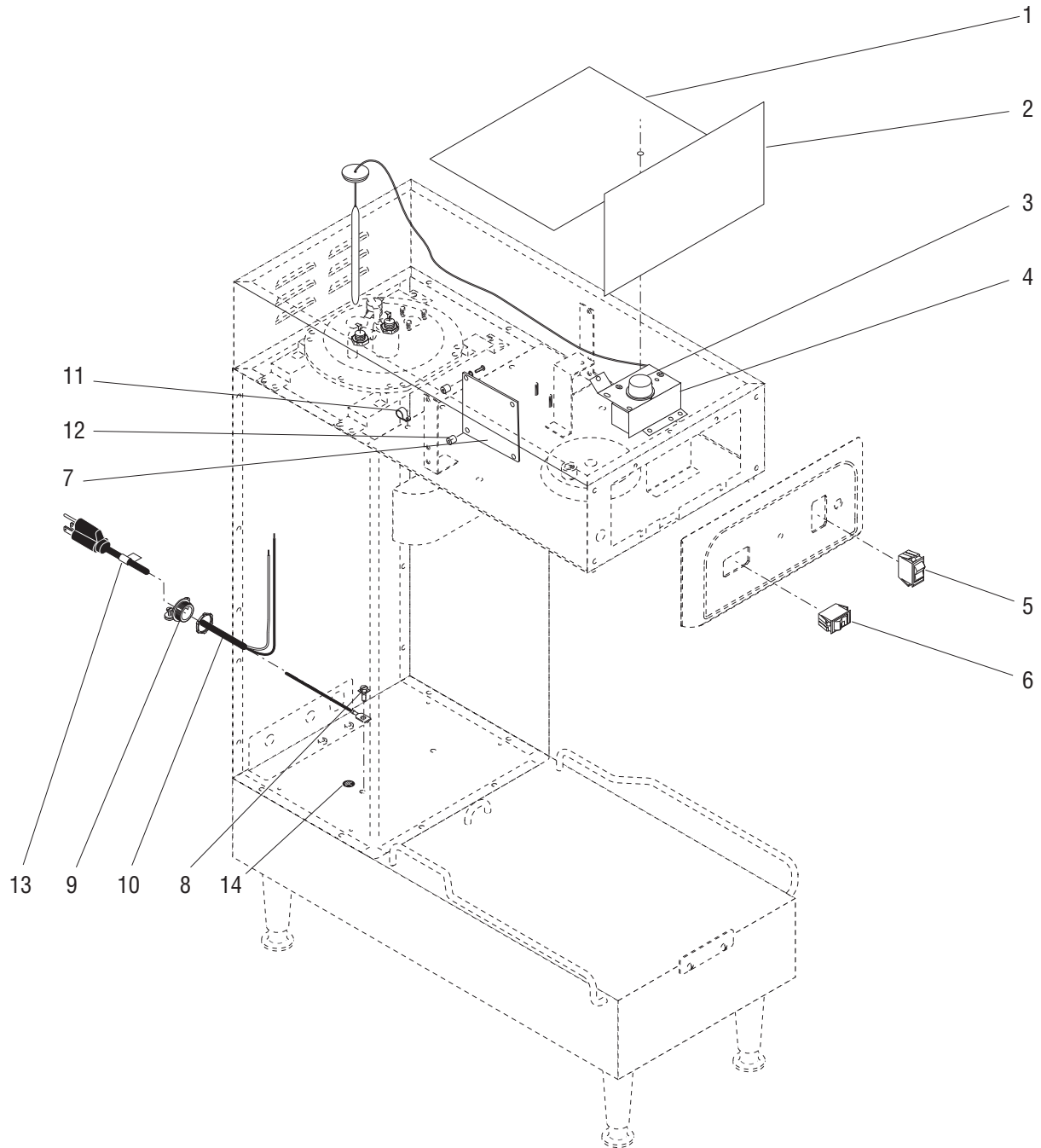
(Continued)



## STRAINER/FLOW CONTROL, SOLENOIDS AND LINES

ITEM	PART NO.	QTY.	DESCRIPTION
29	00402.0001	1	Connector, .25" Flare x .25" MPT (See Item 40)
30	28526.0021*	1	Tube, Silicone .312" ID x 4.0" Lg (Order item 42)
31	01201.0000	2	Gasket, Tank inlet
32	01540.0000	1	Washer
33	00484.0001	1	Needle Valve (See Item 40)
34	03535.0000	1	Tube Assy, Needle Valve to Tank (See Item 40)
35	00460.0000	1	Fitting, Tank Inlet (Includes Items 36 & 37)
36	00400.0001	1	Elbow, Male - TNPL .25" FLR x .12 MPT
37	00948.0000	1	Fitting, Inlet - .750" -16 x .12 FPT
38	36421.0001	1	Bracket, Bulkhead
	02308.0000	2	Screw, Pan Head #8-32 x .38"
39	00619.0007	1	Plug (Units without Sweetner)
40	03532.0000	-	Tube Assy, Manifold to Solenoid (Includes Items 8, 28, 29, 33 & 34)
41	11707.1000	-	Tube, Silicone .250" I.D. x .50" O.D. x 12" LG (Cut to Required Length)
	11707.1001	-	Tube, Silicone .250" I.D. x .50" O.D. x 36" LG (Cut to Required Length)
42	28526.1000	-	Tube, Silicone .312" I.D. x 12" LG (Cut to Required Length)
	28526.1001	-	Tube, Silicone .312" I.D. x 36" LG (Cut to Required Length)

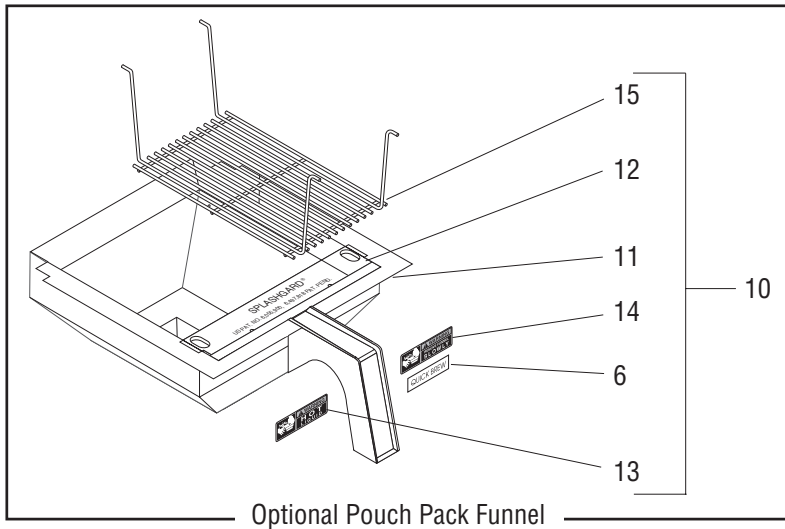
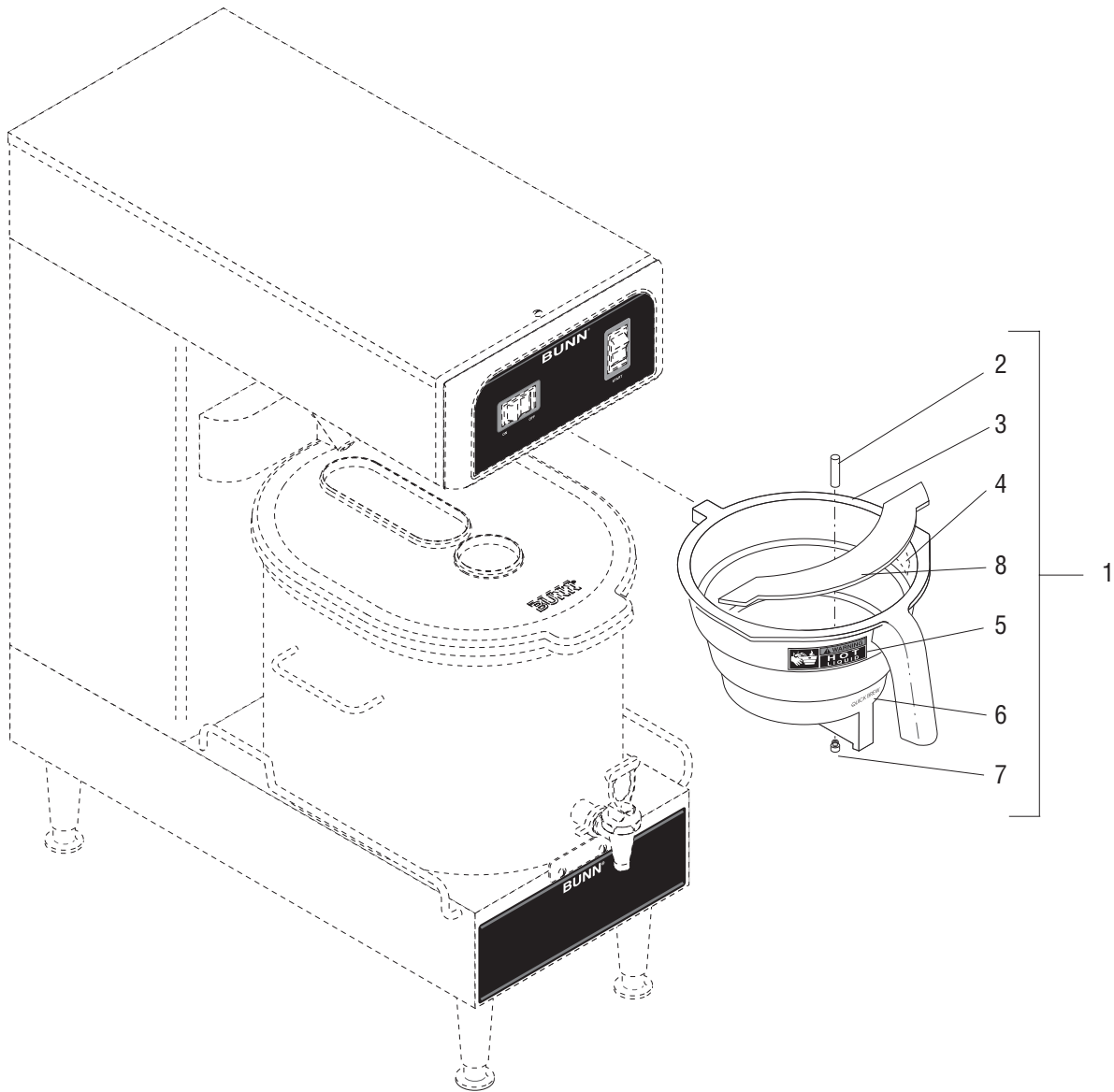
\* Indicates the part number listed is for reference only. See DESCRIPTION for possible service replacement.



## ELECTRICAL AND OPERATING CONTROLS

ITEM	PART NO.	QTY.	DESCRIPTION
1	37453.0000	1	Shield, 8.0" x 10.0"
2	00637.0000	1	Shield, 5.0" x 9.0"
3	00720.0000	1	Knob, Thermostat
4	03024.0005	1	Thermostat Assy, 206F Max (Includes Item 3)
	01347.0000	2	Screw, Truss Head #6-32 x .38" } Mounting
	01510.0000	2	Lockwasher, External Tooth #6 }
	20762.0000	2	Screw, Binding Head #8-32 x .25" (Terminal)
5	37079.0000	1	Switch, Start
6	37080.0000	1	Switch, On/Off
7	32400.0002	1	Digital Timer - 120V
	01388.0000	2	Screw, Truss Head #6-32 x .75"
8	01309.0000	1	Screw, PNH w/ Term WSHR #10-32 x .50"
9	01685.0000	1	Connector, Power Cord w/Nut
10	01637.0002	1	Power Cord
11	00603.0000	1	Clamp, Nylon
12	01533.0000	2	Spacer
13	06064.0000	1	Label, Cord Warning
14	00824.0000*	1	Decal, Ground
Items listed below are not illustrated.			
15	01668.0000	2	Wire Nut, Orange, Warmer Blanket Wires to Main Harness
16	10301.0000	1	Wiring Harness, Main - 120V
17	21000.0725	1	Lead, Elec - 18 AWG BLK 12.0" Warmer Blanket to Main Harness
18	21001.0723	1	Lead, Elec - 18 AWG WHI 12.0" Warmer Blanket to Main Harness
19	00617.0000	1	Cable Tie, Nylon
20	21016.9005	1	Lead, Elec - 16 AWG BLK 18.0" Control Thermostat to Tank Heater
21	21016.9004	1	Lead, Elec - 16 AWG BLU/BLK 16.0" Control Thermostat to Limit Thermostat

\* Indicates the part number listed is for reference only. See DESCRIPTION for possible service replacement.



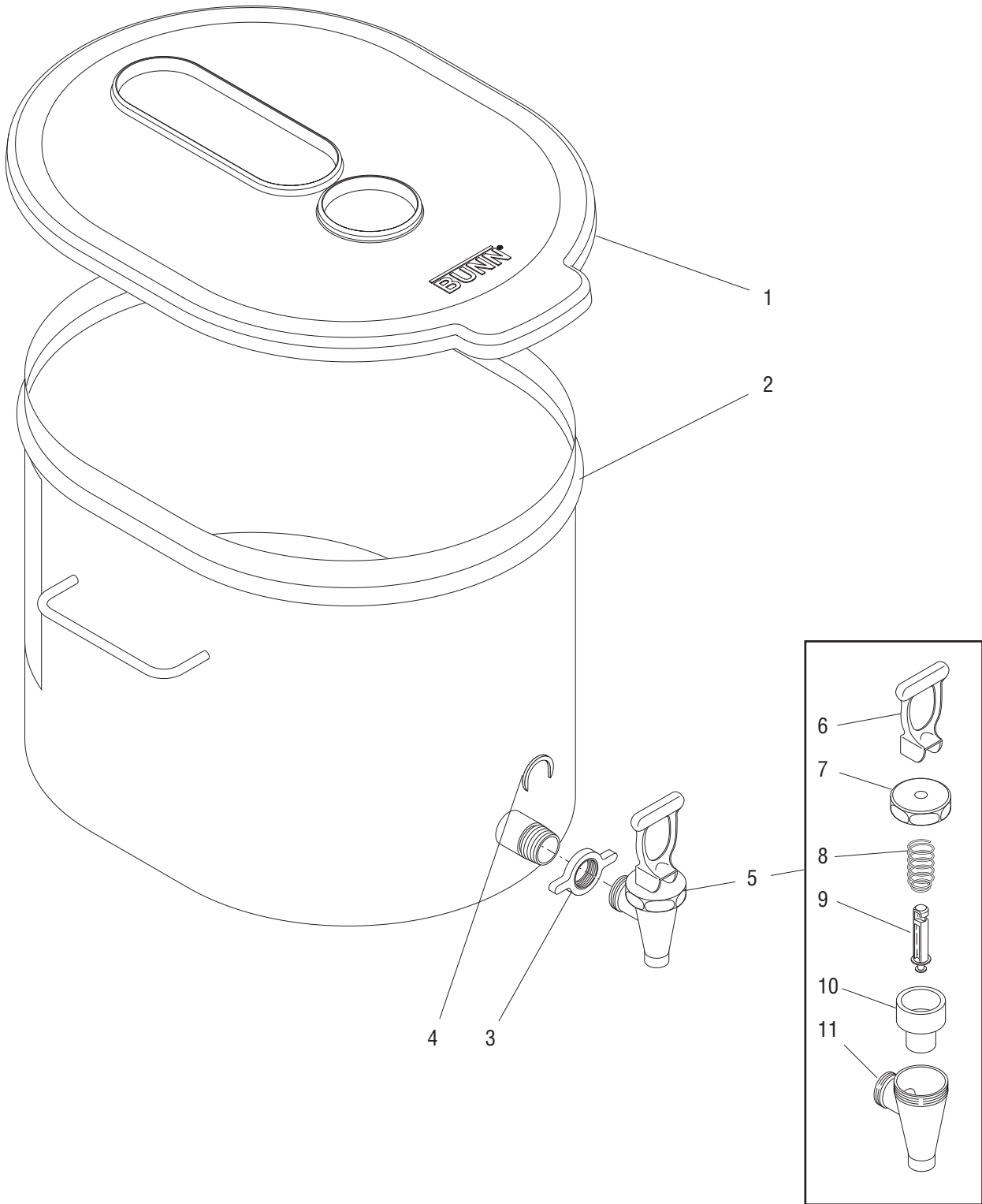
Optional Pouch Pack Funnel

P3168

## FUNNEL ASSEMBLY

ITEM	PART NO.	QTY.	DESCRIPTION
1	03021.0005	1	Funnel Assembly, Smoke - Quick Brew (Includes items 2 thru 8)
2	03284.0000	1	Adaptor W/Screen, Funnel (See item 9)
3	-----	1	Funnel, Brew Tea - Smoke (Not Available. Order item 1)
4	03408.0000	1	Decal, Caution - Remove Funnel
5	03409.0000	1	Decal, Caution - Hot Liquid
6	03536.0000	1	Decal, Quick Brew
7	03407.0002	1	Funnel Tip, .114" Dia (See Item 9)
8	32965.0000	1	Splashgard
9	01037.0003	-	Funnel Tip & Screen Kit (Includes items 2 & 7)
10	35282.0001	1	Funnel Assembly, Smoke - Pouch Pack (Includes items 2, 6, 7 & 11 thru 15)
11	34439.0001*	1	Funnel, Pouch Pack - Smoke (Not Available. Order item 10)
12	34438.0000	1	Splashgard, Pouch Pack
13	03408.0002	1	Decal, Warning - Remove Funnel
14	03409.0002	1	Decal, Warning - Hot Liquid
15	29916.0000	1	Insert, Wire Form - Pouch Pack

\* Indicates the part number listed is for reference only. See DESCRIPTION for possible service replacement.



## SERVER ASSEMBLY

ITEM	PART NO.	QTY.	DESCRIPTION
1	34093.0001	1	Lid, Server
2	36059.0000*	1	Reservoir (Not serviced)
3	01221.0000	1	Wing Nut
4	03093.0002	1	C-ring
5	03260.0002	1	Faucet Assy (Includes items 6 - 11)
6	29163.0003	1	Handle
7	29165.0001	1	Bonnet
8	00601.0000	1	Spring
9	29164.0000	1	Stem, Faucet
10	00600.0000	1	Seat Cup
11	35758.0001*	1	Body (Order item 5)

The following items are not illustrated.

12	33843.0000	1	Decal, Cleaning and Sanitizing
13	03043.0005	1	Decal, Iced Tea
14	00651.0000	1	Decal, BUNN
15	00674.0000	1	Brush, Cleaning
16	29166.0002	-	Faucet Repair Kit (Includes items 6, 8, 9 & 10)

\* Indicates the part number listed is for reference only. See DESCRIPTION for possible service replacement.

NUMERICAL INDEX

PART NO.	PAGE NO.	PART NO.	PAGE NO.	PART NO.	PAGE NO.	PART NO.	PAGE NO.
00400.0001	9,11	03024.0005	13	29916.0000	15		
00402.0001	11	03043.0005	17	32400.0002	13		
00459.0000	9	03045.0000	7	32540.0000	5		
00460.0000	11	03068.0001	7	32965.0000	15		
00463.0000	9	03070.1000	7	33843.0000	17		
00464.0001	9	03093.0002	17	34093.0001	17		
00469.0001	9	03125.0000	7	34438.0000	15		
00484.0001	11	03260.0002	17	34439.0001	15		
00600.0000	17	03284.0000	15	35282.0001	15		
00601.0000	17	03407.0002	15	35758.0001	17		
00603.0000	13	03408.0000	15	36059.0000	17		
00617.0000	13	03408.0002	15	36355.0000	5		
00619.0007	11	03409.0000	15	36360.0000	5		
00637.0000	13	03409.0002	15	36412.0000	5		
00651.0000	17	03468.0000	7	36421.0001	11		
00656.0000	5	03532.0000	11	36461.0000	5		
00674.0000	17	03535.0000	11	36462.0000	5		
00720.0000	13	03536.0000	15	36538.0000	5		
00824.0000	13	03537.0000	5	36576.0000	7		
00831.0000	5	03993.0000	5	36580.0001	5		
00908.0000	7	04844.0000	7	36582.0000	7		
00935.0000	9	05515.0000	7	36584.0001	5		
00942.0000	7	05518.0000	7	36586.0000	5		
00943.0000	7	05696.0000	7	36590.0000	5		
00948.0000	11	06064.0000	13	36594.0001	5		
00970.0000	5,9	07441.0000	9	36597.0002	9		
01037.0003	15	10301.0000	13	36877.0000	5		
01075.0000	7	11707.0019	9	36923.0000	5		
01082.0000	7	11707.1000	11	36997.0000	5		
01085.0002	9	11707.1001	11	37079.0000	13		
01111.0002	9	12422.0000	9	37080.0000	13		
01154.0000	9	13003.0000	9	37093.0000	9		
01155.0000	9	20526.1750	9	37234.0001	5		
01201.0000	11	20762.0000	13	37453.0000	13		
01221.0000	17	21000.0725	13	37573.0000	5		
01308.0000	5	21001.0723	13				
01309.0000	13	21016.9004	13				
01311.0000	5	21016.9005	13				
01315.0000	7	21179.0000	9				
01327.0000	9	21695.0001	9				
01347.0000	13	22249.0000	9				
01388.0000	13	22300.0750	9				
01502.0000	9	23721.0000	9				
01510.0000	13	28526.0021	11				
01532.0000	9	28526.1000	11				
01533.0000	13	28526.1001	11				
01540.0000	11	26528.0001	5				
01592.0001	5,9	28479.0000	9				
01637.0000	13	28480.0000	9				
01668.0000	13	28481.0000	9				
01685.0000	13	29163.0003	17				
02308.0000	5,11	29164.0000	17				
02332.0002	5	29165.0001	17				
02337.0002	7	29166.0002	17				
03021.0005	15	29329.0001	7				