



SG3240E AND SG3240G
CONVEYOR OVEN
REPLACEMENT PARTS LIST



EFFECTIVE JUNE 26, 2001

BLODGETT OVEN COMPANY, 50 Lakeside Avenue, Burlington, Vermont 05401 USA
Telephone: (802) 860-3700 (800) 331-5842 Fax: (802) 860-3732
www.blodgett.com

Superseding All Previous Parts Lists.
The Company reserves the right to make substitution in the event that items specified are not available.
ERRORS: Descriptive and/or typographic errors are subject to correction.

www.blodgett.com

IMPORTANT: When ordering parts, please provide the model, gas type and serial number of the oven. The identification plate is located on the left side of the oven on the control tunnel.

SG3240E & G

June 26, 2001

- ☑ ASAP Distributor Required Stocking Parts
- ◆ Doors Are Not Returnable
- * Item Is Too Large For UPS

2

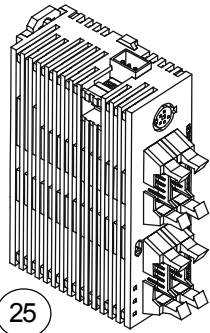
ELECTRICAL COMPONENTS

Ref. No.	Part No.	Description
17	☑ M10137	Controller, Manual Lexan (Replaces M9557)
17	☑ M10138	Controller, Menu Lexan (Replaces M9558)
25	☑ M10280	Control, PLC
26	☑ M10278	Interface Board
<p>NOTE: <i>The M10278 has the pressure switch mounted on it. Do not purchase M10165 pressure switch if you are purchasing M10278.</i></p>		
27	☑ M9611	RTD Converter
	M8991	Probe Well Assy.
28	☑ M9622	Probe, RTD, 20", 100 ohm (Bake Chamber)
35	☑ M3295	Thermostat, High Limit (Manual Reset)
	M0152	Switch, Emergency Stop
	M3296	Knob, Emergency Stop Switch (Mushroom Shape)
	M3297	Nameplate, Emergency Stop
	☑ M9836	Remote Cable Assy., 10 Foot
	☑ M9837	Remote Cable Assy., 50 Foot
	M10153	Remote Control Power Circuit Board (integral controls)
	M10151	Remote Control Power Circuit Board (housing - remote controls)
	M10030	Conversion Kit, Integral to Remote Mounted Controls, w/10 ft cable
	M10031	Conversion Kit, Integral to Remote Mounted Controls, w/50 ft cable
	☑ M9609	Axial Fan, 7", 24V DC
	☑ M9616	Axial Fan, 4", 24V DC
41	☑ M9720	Relay, Convection Blower, 2 Pole 24V DC
40	☑ M10139	Relay, Heat, 1 Pole 24V DC
	☑ M9722	Harness, PLC to Interface Board
	M9723	Harness, Display
	M9910	Cord Set, 250V, 1 pole (Gas ovens only, US/CAN)
29	☑ M8976	Element Assy., 208V 3 Phase, 3 Wire
29	☑ M8977	Element Assy., 240V 3 Phase, 3 Wire
	M10524	Element, Individual, 208V, 3 Phase, 3 Wire
	M10525	Element, Individual, 240V, 3 Phase, 3 Wire
30	☑ M9630	Contact, 100Amp, 24V DC (Electric Ovens Only)
	M9877	Wire, 6 ga, White, 8" (for M9630)
	M9878	Wire, 6 ga, White, 12" (for M9630)
39	☑ M9608	Power Supply
	M10111	Adapter Plate, Incoming Power (Gas Ovens Only)
	M10112	Adapter Plate, Incoming Power (Electric Ovens Only)

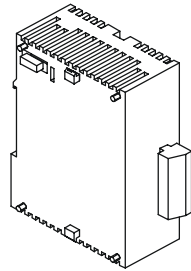
ELECTRICAL COMPONENTS-CONT'D.

Ref. No.	Part No.	Description
	M9732	Harness, Control (Electric Ovens Low Volt)
	M9733	Harness, Blower (Electric Ovens High Volt)
	M9734	Harness, Interface Board to Motor Control
	M9838	Harness, Blower (Gas Ovens High Volt)
	M9842	Harness, Control (Gas Ovens Low Volt)
	☑ M0158	Fuse Holder (Qty 2) (NOT for CE)
	☑ M4988	Fuse 5AMP, Class G (Qty 2) (NOT for CE)
	☑ M3714	Terminal Block, 3 Pole (for 3 phase, 3 wire ovens) (Electric Ovens Only, Qty 1 per oven)
37	☑ R0164	Terminal Block Qty 2 per oven, ALL gas ovens used w/R0164
	☑ R0166	Ground Block Qty 1 per oven used w/R0164
	R1580	End Stop, Terminal Block (Qty 1) used w/R0164

SG3240 ELECTRICAL COMPONENTS



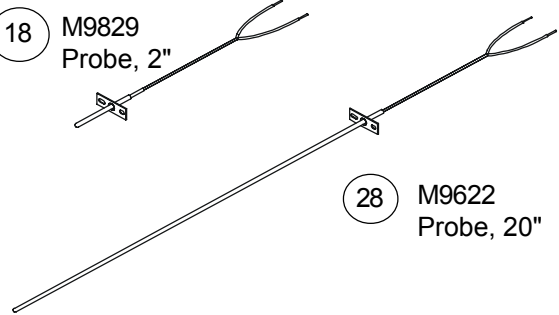
25
M10280
PLC Assy



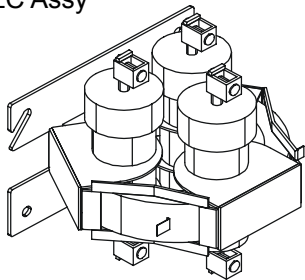
27
M9611
RTD Converter



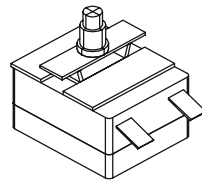
18
M9829
Probe, 2"



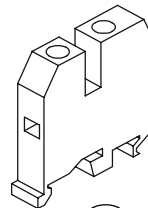
28
M9622
Probe, 20"



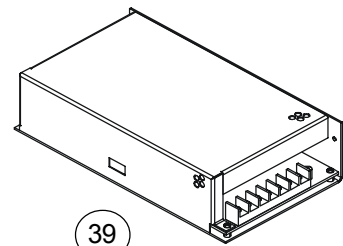
30
M9630
Contactor



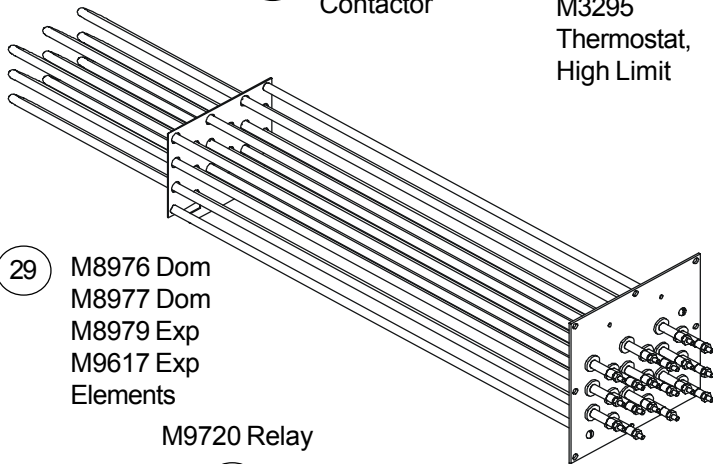
35
M3295
Thermostat,
High Limit



37
R0164
Terminal
Block

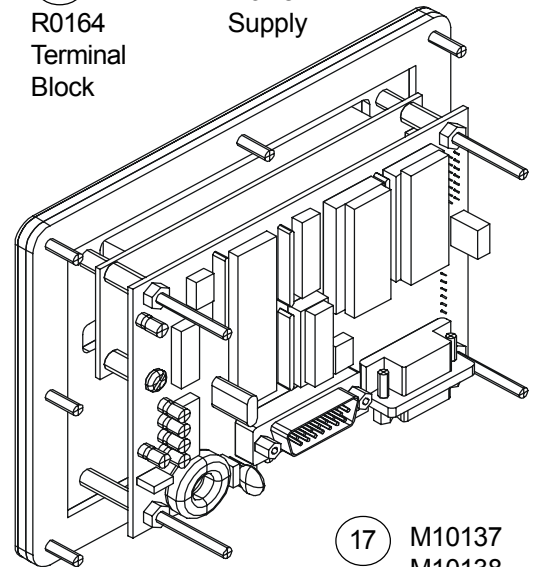


39
M9608
Power
Supply

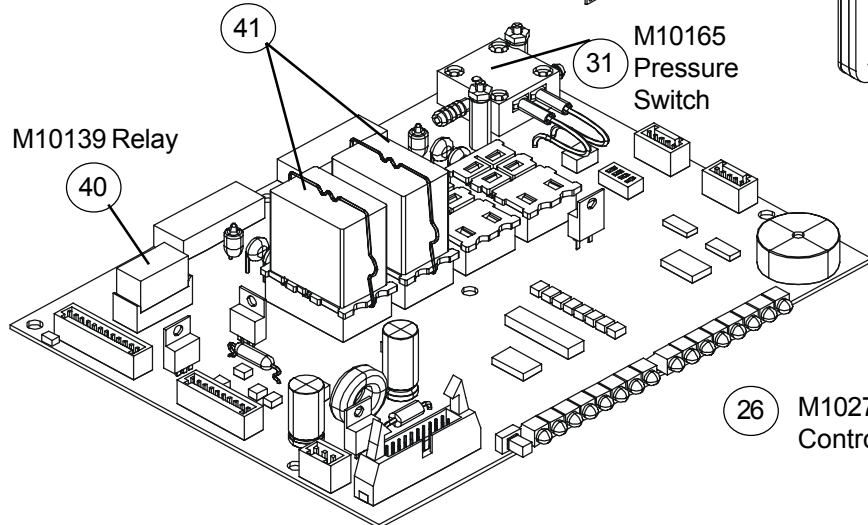


29
M8976 Dom
M8977 Dom
M8979 Exp
M9617 Exp
Elements

M9720 Relay



17
M10137
M10138
(internal view)
Control Assy



M10139 Relay

41

31
M10165
Pressure
Switch

40

26
M10278
Control, Interface

CONVEYOR COMPONENTS

Ref. No.	Part No.	Description
2	M9628	Belt, Wire S/S 32" (Complete) (Total Length 13.5 FT)
	21926	Belt, Wire S/S 32" SB (Per Foot) (Total Length 13.5 FT)
	23112	Belt, Wire S/S 15.75" TB (Per Foot) (Total Length 13.5 FT)
12	M4132	Tensioner Assy., Qty 2 (only for single belt non-folding belts)
	M2389	Spring, Belt Tensioner, Qty 2 (only for folding belts)
	M6763	Tensioner Sleeve Assy, Qty 2 (only for folding belts)
	M9907	Pin, cotterless hitch (to locate conveyor) Before 12/01/99 or S.N. 120199BQ001S/ 120199BP001S
	M10109	Pin, spring loaded (to locate conveyor) After 12/01/99 or S.N. 120199BQ001S/ 120199BP001S
	21152	Drive Chain
	M0112	Masterlink (for Drive Chain)
	M10155	Chain Guard Replacement Kit, SB (Replaces M9701/M9702)
<p>NOTE: TB Ovens use M8890 Access Panel Assy for ChainGuard Replacements.</p>		
32	<input checked="" type="checkbox"/> M9658	Motor, Conveyor Drive
33	<input checked="" type="checkbox"/> M9659	Control, Drive Motor
	M0122	Bushing, Conveyor Drive, Qty 4
	<input checked="" type="checkbox"/> M0110	Sprocket, Conveyor Drive, 15 tooth (Qty 1)
	M1865	Sprocket, Motor Drive, 15 tooth (Qty 1 SB) (Qty 2 TB)
	<input checked="" type="checkbox"/> M0108	Sprocket, Conveyor Belt (Qty 14)
	M9679	Bracket, Motor Mount (Qty 1)
	M9689	Bracket, Motor Mount (TB)
5	M8811	Support Angle, Conveyor (2 per oven)
3	M9583	Conveyor Assy, Drive SB
4	M9584	Conveyor Assy, Idle SB
	M7438	Conveyor Shaft, Idle SB
	M10017	Rack Assy, Conveyor, Drive Side TB
	M10018	Rack Assy, Conveyor, Idle Side TB
1	M8871	Conveyor Assy, Folding SB
	M10015	Conveyor Assy, Folding, TB

GAS BURNER COMPONENTS

Ref. No.	Part No.	Description
	M9748	Burner Assy., Complete
34	<input checked="" type="checkbox"/> M10279	Ignition Control Board, Programmable
31	M10165	Pressure Switch Kit
<p>NOTE: The M10165 is mounted on the M10279, Ignition Control and M10048, Interface Board. Do not purchase M10165 if you are purchasing M10279 or M10278.</p>		
	M8835	Flame Tube Support Assy, outer
86	<input checked="" type="checkbox"/> M9887	Combustion Blower & Motor Assy

GAS BURNER COMPONENTS- CONT'D.

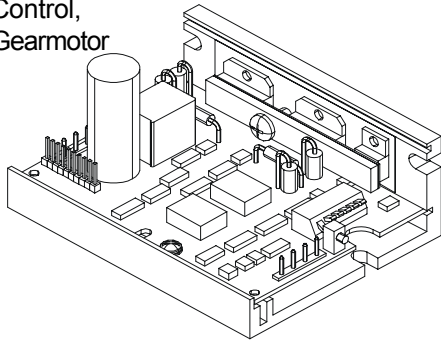
Ref. No.	Part No.	Description
	<input checked="" type="checkbox"/> M10182	Pilot Burner & Ignitor Assy, Nat
	<input checked="" type="checkbox"/> M10184	Pilot Burner & Ignitor Assy, LP
	<input checked="" type="checkbox"/> M0415	Flame Sensor Probe
	<input checked="" type="checkbox"/> M2690	Orifice, Pilot LP
	<input checked="" type="checkbox"/> M0697	Orifice, Pilot Nat
	M4371	Orifice, Main Burner LP
	M4370	Orifice, Main Burner Nat
	<input checked="" type="checkbox"/> M8999	Gas Valve, Nat
	See Note	Gas Valve, LP
<p>NOTE: For LP gas order M8999 & M5292</p>		
	<input checked="" type="checkbox"/> M5291	Conversion Kit, LP to Nat
	<input checked="" type="checkbox"/> M5292	Conversion Kit, Nat to LP
	M8919	Flame Tube Assy
	M9674	Elbow, 1/2", 45°, black iron
	<input checked="" type="checkbox"/> M9705	Pressure Tubing, polyurethane (30")
	M0248	Pilot Tubing, .79'
	21225	Elbow, 1/4T x 1/8 npt (goes on valve)
	M8924	Plate, Block Off (Gas Pipe Slot)

CONVECTION COMPONENTS

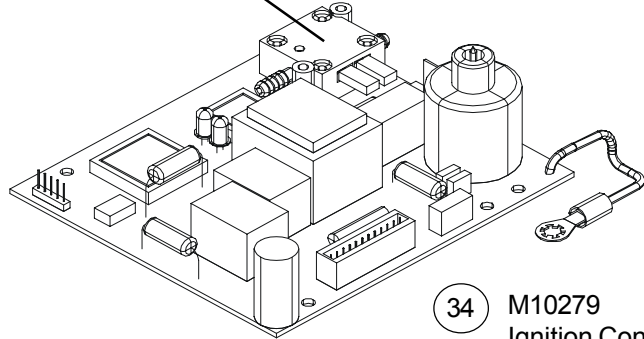
Ref. No.	Part No.	Description
43	<input checked="" type="checkbox"/> M5419	Motor, Blower CCW
38	<input checked="" type="checkbox"/> M9052	Motor, Blower CW
18	<input checked="" type="checkbox"/> M9829	Probe, RTD, 2" blower compartment
	M10201	Insulation Kit, Blower Housing
7	M8862	Nozzle Assy, Aluminum (1 hole in back) 4 per oven
8	M8863	Nozzle Assy, Aluminum (2 holes in back) 4 per oven
7	M9727	Nozzle Assy, S/S (1 hole in back) 4 per oven
8	M9728	Nozzle Assy, S/S (2 holes in back) 4 per oven
22	M8849	Support Bar, Nozzles, Aluminum
22	M9735	Support Bar, Nozzles, S/S
21	M9724	Air Plate, Aluminum
21	M9730	Air Plate, S/S
20	M9654	Block Off Strips, Aluminum
20	M9731	Block Off Strips, S/S

SG3240 MISC COMPONENTS

33 M9659
Control,
Gearmotor

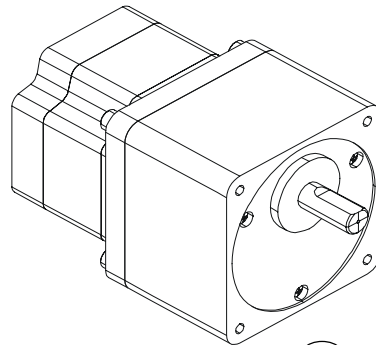
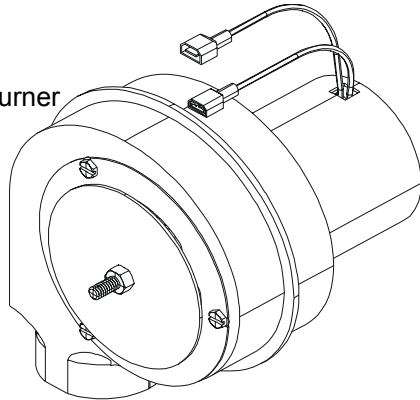


31 M10165
Pressure Switch



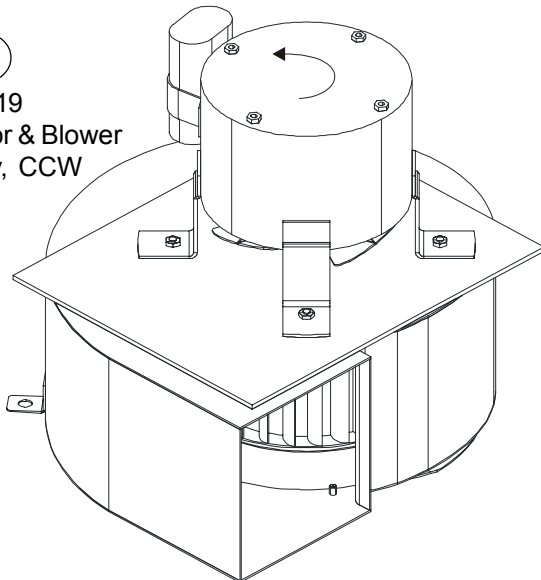
34 M10279
Ignition Control
Board

36 M9887
Blower, Burner

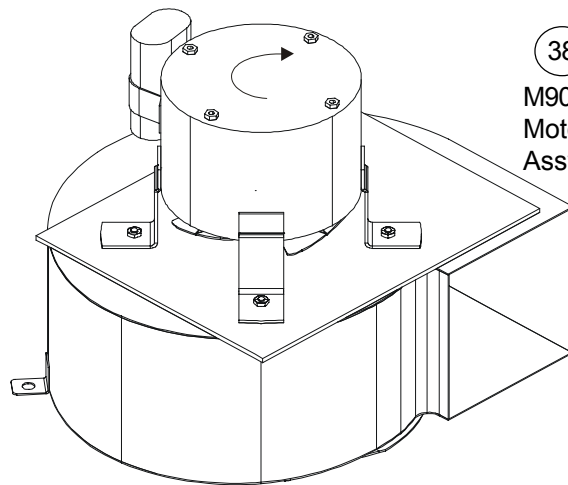


32 M9658
Gearmotor
Assy

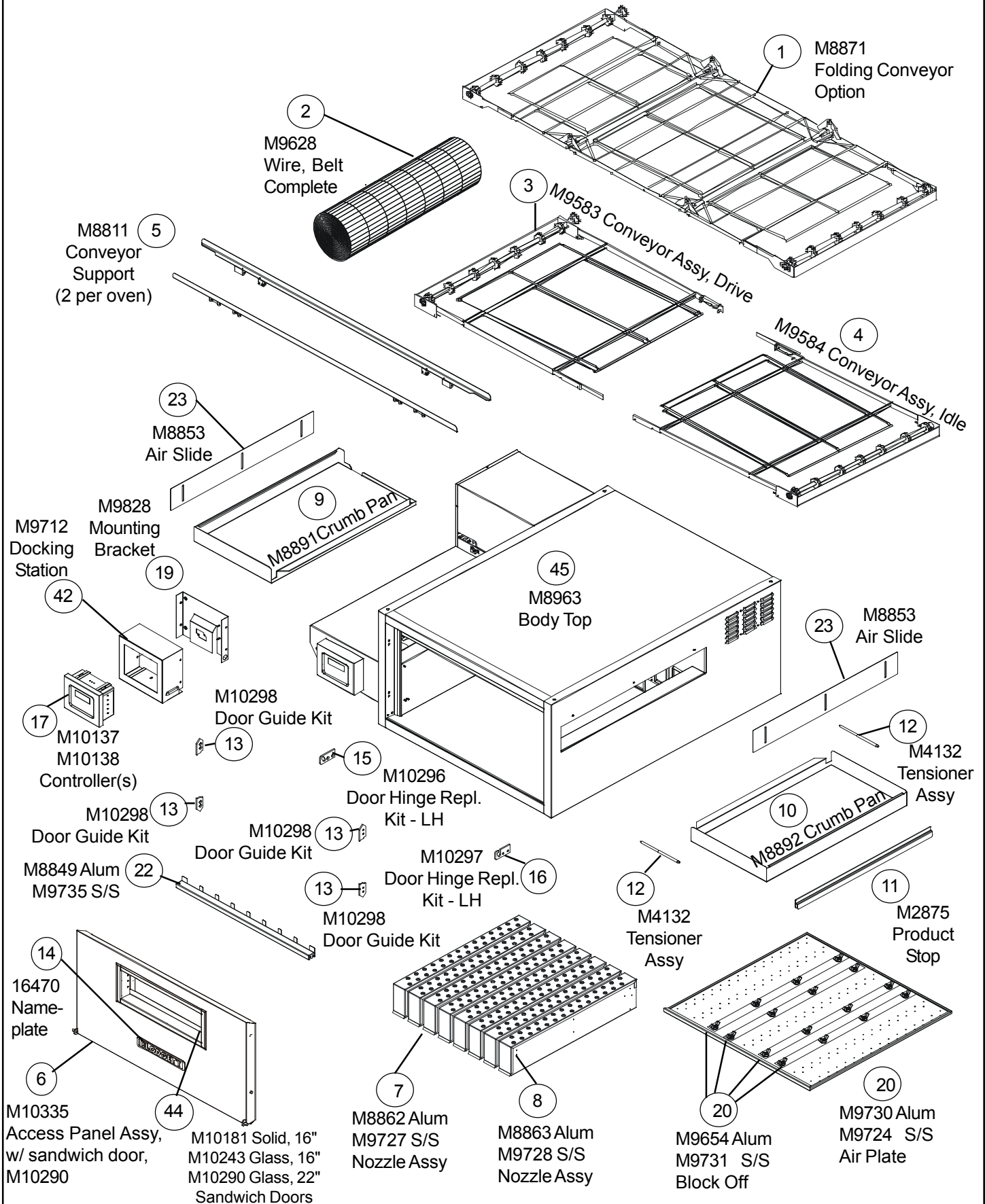
43 M5419
Motor & Blower
Assy, CCW



38 M9052
Motor & Blower
Assy, CW



SG3240 EXTERIOR COMPONENTS



EXTERIOR COMPONENTS

Ref. No.	Part No.	Description
6	◆ M10335	Front Access Panel Assy w/sandwich door All units
<p>NOTE: <i>M10335 comes with bottom gasket, front access panel, glass door 22", and slotted pivot plates L&R. If you are upgrading to a 22" Sandwich door from a 17" Sandwich door you must purchase this whole assy to convert your oven.</i></p>		
15	M10296	Door Hinge Repl. Kit LH Replaces M9825
16	M10297	Door Hinge Repl. Kit RH Replaces M9826
13	M10298	Door Guides Repl. Kit Replaces M9823 & M9824 Upper left/right, Lower left/right
	M8910	Gasket, Bottom (for front access panel door)
44	M10181	Sandwich Door Assy, 17"x 5" Solid, w/handle Ovens before 08/15/00
44	M10243	Sandwich Door Assy, 17"x 5" Glass, w/handle Ovens before 08/15/00
	M10290	Sandwich Door Assy, Glass, w/handle 22" Ovens after 08/15/00
<p>NOTE: <i>If you currently have a 17" sandwich door (Ovens before 08/15/00) and want to convert to a 22" sandwich door you must order M10335 Front Access Panel Assy to convert.</i></p>		
	M10128	Handle Kit, 16 1/2" For M10181 & M10243 Ovens before 08/15/00
	M4275	Handle Kit, 22" For M10290 Ovens after 08/15/00
	M8890	Access Panel Assy, (Elec. Box Door)
	M9614	Access Cover, Rear of elec. box (4 holes) (Units before 01/01/2000)
19	M9828	Bracket, Mounting, remote control
42	M9712	Docking Station, for remote control assys
11	M2875	Product Stop
14	16470	Nameplate, Blodgett, 10"
	16677	Speed Nut, Qty 3 per oven used w/16470
	M4222	Product Extension, 10"
	M9948	Product Extension, 15"
	21390	Legs, 17-1/4" w/ Casters (Dbl Oven) (Set of 4)
	21391	Legs, 23-1/4" w/ Casters (Sgl Oven) (Set of 4)
	M9844	Chimney Kit, dbl
	M9845	Chimney Kit, tpl
	M9846	Chimney Kit, sgl
	M3828	Pins, Stacking
	M10200	Stacking Trim Kit, Complete Contains oven body trim, electrical box trim & heat shield
	M9979	Heat Shield Kit
	M9706	Lexan Decal, for Controller
	21826	Installation Hose, 36"
	21242	Installation Hose, 48"

EXCLUSIVE TO EXPORT

Ref. No.	Part No.	Description
	M8869	Body Back, Lower
	M8870	Body Back, Upper
45	M8963	Body Top
9	M8891	Crumb Pan, Drive, Sld
10	M8892	Crumb Pan, Idle, Sld
	M8893	Crumb Pan, Drive, w/holes
	M8894	Crumb Pan, Idle, w/holes
23	M8853	Slide, Air Adjustable
	M7132	Thumb Screws, for M8853
29	☑ M8979	Element Assy., 415/240V 3 Phase, 4 Wire Gen Exp, CE
29	☑ M9617	Element Assy., 400/230V 3 Phase, 4 Wire Gen Exp, CE
	M10526	Element, Individual, 415/240V, 3 Phase, 4 Wire Gen Exp, CE
	M10527	Element, Individual, 400/230V 3 Phase, 4 Wire Gen Exp, CE
	☑ M10184	Pilot Burner & Ignitor Assy., LP
	☑ M10182	Pilot Burner & Ignitor Assy., Nat
	☑ M10191	Gas Conversion Kit, Nat to LP/But Gen Exp & CE except France & Belgium
	M10190	Gas Conversion Kit, LP/But to Nat Gen Exp & CE except France & Belgium
	☑ M10462	Gas Conversion Kit, Nat to LP/But CE France and Belgium only
	M10316	Gas Conversion Kit, LP to Nat Japan Only
	M10317	Gas Conversion Kit, Nat to LP Japan Only
	☑ M3167	Fuseholder CE, Gen Exp
	☑ M8592	Fuse, 5 Amp, 5x20mm CE, Gen Exp
	M4542	Terminal Block, DIN rail mounted (for 3 phase, 4 wire ovens) (Qty 4 per oven)
	R0164	Terminal Block, DIN Rail mounted (Qty 2 per oven, gas ovens)
	R0166	Ground Block, DIN Rail mounted (Qty 1 per oven) used w/M4542
	R1580	End Stop, DIN Rail mounted
	M9477	DIN Rail

NOTES:

BLODGETT OVEN COMPANY, 50 Lakeside Avenue, Burlington, Vermont 05401 USA

Telephone: (802) 860-3700 (800) 331-5842 Fax: (802) 860-3732

Maytag Foodservice Division