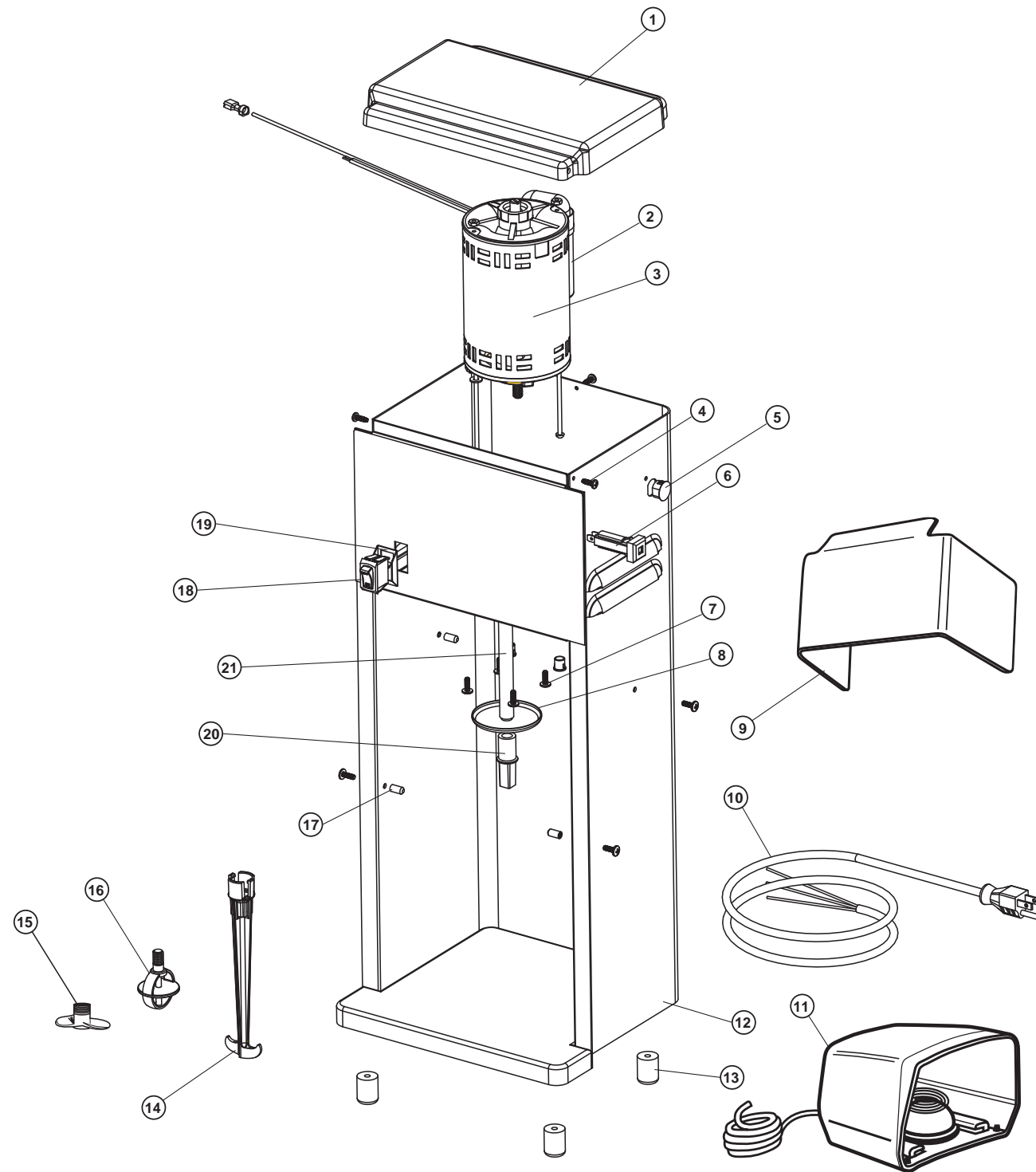


Mix'n Machine™ - Countertop



Mix'n Machine™ - Countertop Parts List - 100V, 120V, 220/240V

No.	Item No.	Description	Voltage	Qty.
1	PLS801	Cap	All	1
2	CTL803	Capacitor	220/240V	1
2	CTL802	Capacitor	120/100V	1
3	ASY809	Induction Motor	220/240V	1
3	ASY800	Induction Motor	120/100V	1
4	FST801	Cap Retaining Screws	All	1
5	CON800	Right Angle Strain Relief	All	1
6	CTL801	5 Amp Circuit Breaker	120/100V	1
6	CTL804	3 Amp Circuit Breaker	220/240V	1
7	FST800	Motor Mounting Screws	All	1
8	DDR800	Slinger	All	1
9	PLS807	Splash Guard	All	1
10	WIR800	100/120V Power Cords	120/100V	1
10	By Country	220/240V Power Cords Vary by Country	220/240V	1
11	30000	Guarded Foot Control	120/100V	1
11	30002	Guarded Foot Control	220/240V	1
12	ASY801	Stainless Steel Frame	All	1
13	1240	Plugged Foot Assembly	All	1
14	30003	Soft-Serve Removable Agitator (10 pack)	All	10
15	STM817	Hard Ice Cream Agitator	All	1
16	PLS800	Permanent Agitator	All	1
17	FST803	Pivot Pin	All	1
18	CTL800	On/Off Switch	120/100V	1
18	CTL810	On/Off Switch	220/240V	1
19	STM805	Switch Guard	All	1
20	80	Conversion Kit (Perm. to Remov. Agitator)	All	1
21	SCM800	Agitator Shaft	All	1