

VULCAN

*CATALOG OF
REPLACEMENT PARTS*

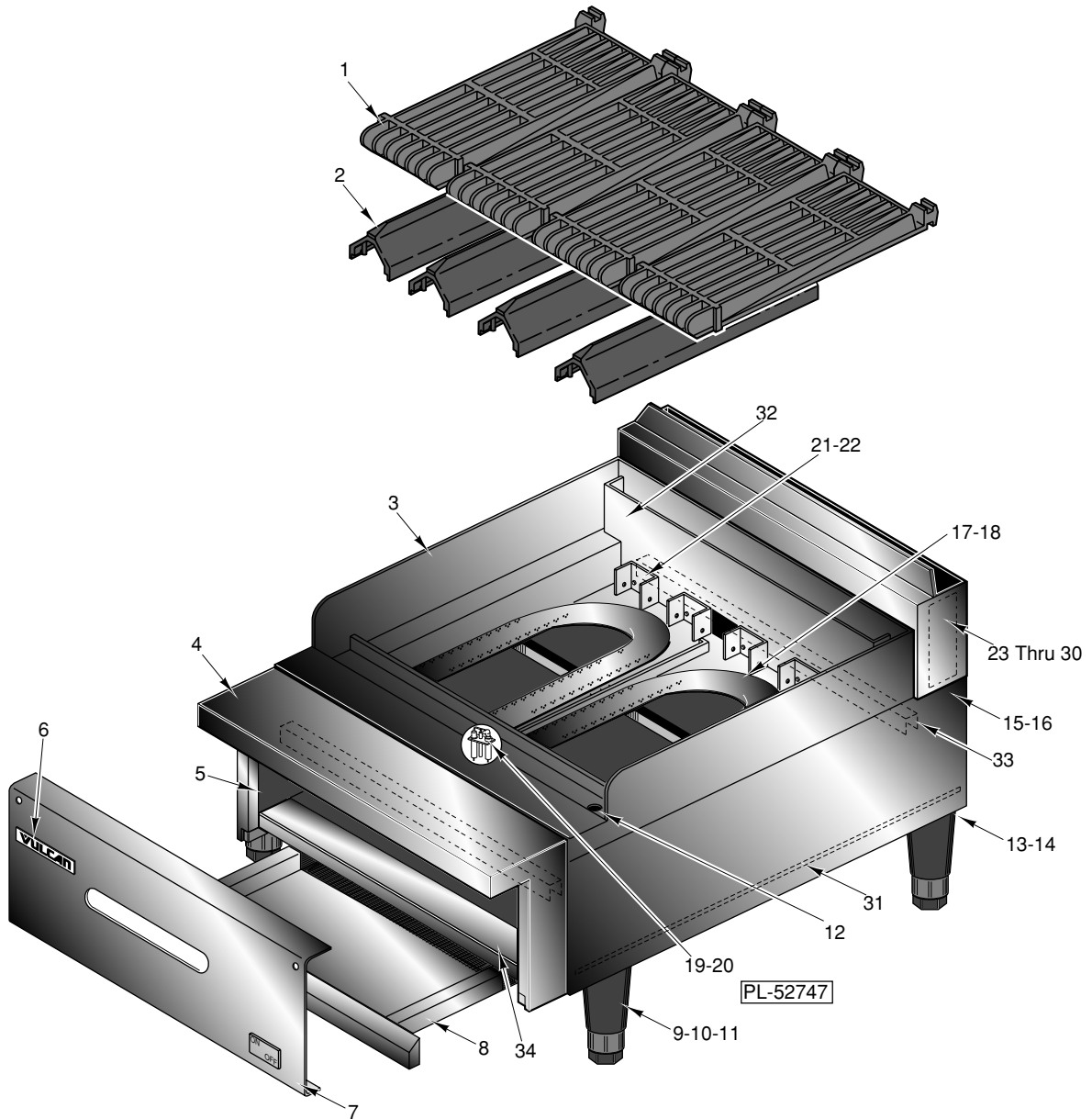
GAS CHARBROILER

MODEL

MG24CB

ML-114634

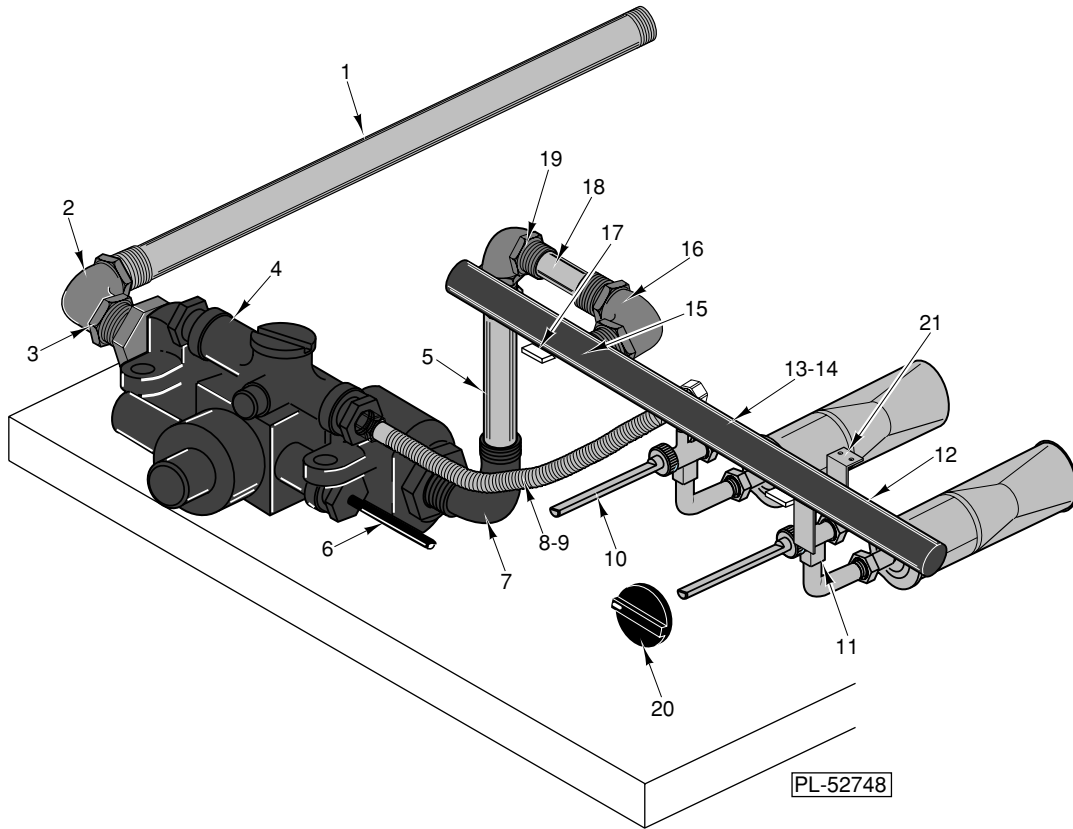




CHARBROILER BODY

CHARBROILER BODY

ILLUS. PL-52747	PART NO.	NAME OF PART	AMT.
1	00-422435-00001	Grate - Top	4
2	00-422434-00001	Radiant - Burner	4
3	00-422439-000G1	Main Top Assy.	1
4	00-422012-000G1	Front Top & End Cap Assy.	1
5	00-422258-000G1	Burner Tray Assy.	1
6	00-417700-00003	Nameplate 4"	1
7	00-422432-00001	Cover - Manifold	1
8	00-422433-000G1	Drip Pan Assy.	1
9	00-423745-00001	Leg - Adjustable SST	4
10	00-423745-00002	Leg - Adjustable PTD.	4
11	00-417853-00005	Nut - Basket 1/2-13	4
12	FP-085-88	Nipple - 3/4 x 6/4	1
13	00-421630-000G1	Base Frame Assy.	1
14	00-421435-00001	Angle - Support	2
15	00-421434-00001	Side - Body R.H.	1
16	00-421434-00002	Side - Body L.H.	1
17	00-422255-00004	Burner - R.H. Single Row Ports	1
18	00-422255-00003	Burner - L.H. Single Row Ports	1
19	00-422270-00001	Pilot to Burner	1
20	00-920313	Pilot - Burner	1
21	00-413014-00001	Support - Radiant	8
22	00-424010-00001	Spacer	8
23	00-421663-00001	Shield - Rear Heat	1
24	00-421659-00001	Shield - Rear Heat	1
25	00-421441-00001	Shield - Rear Heat	1
26	00-421445-00001	Back Splasher	1
27	00-417335-00001	Back Splasher	1
28	00-417330-00001	Back Splasher	1
29	00-421431-00001	Channel (For 4" Splasher)	1
30	00-421504-00001	Channel - Bayonet Back (For 23" Splasher)	1
31	00-423691-00001	Runner - Burner Tray	2
32	00-422257-00001	Support - Front	1
33	00-422428-00001	Channel - Front & Rear Top	2
34	00-422427-00001	Bottom - Burner Box	1
	00-411766-00001	Brush	1



GAS CONTROLS

GAS CONTROLS

ILLUS. PL-52748	PART NO.	NAME OF PART	AMT.
1	FP-086-96	Pipe 3/4 x 24	1
2	FP-078-88	Elbow 90 Deg. Reducing 3/4 to 3/8	1
3	FP-035-46	Pipe 3/8 x 1 Lg. (T.B.E)	1
4	00-920442	Valve	1
5	FP-085-76	Pipe 3/8 x 2.875	1
6	00-920040	Thermocouple 18"	1
7	FP-078-88	Elbow 90 Deg. Reducing 3/4 to 3/8	1
8	00-423690-00001	Tube - Flex (Gas Inlet)	1
9	00-410682-00004	Hose - Flex 4'	1
10	00-418052-00001	Hood	2
11	00-402601-0000F	Valve - Top Burner	2
12	00-422259-00001	Manifold Assy.	1
13	00-010901-00042	Orifice - Spud (Nat. Gas)(3000-5000 Ft.)	2
14	00-010901-00052	Orifice - Spud (L.P. Gas)(Sea Level-3000 Ft.)	2
15	FP-085-53	Pipe Plug 1/8	1
16	FP-078-88	Elbow 90 Deg. Reducing 3/4 to 3/8	1
17	00-417207-00001	Bracket - Manifold	1
18	FP-085-99	Pipe 3/8 x 2.375	1
19	FP-013-11	Elbow 3/8 x 90 Deg.	1
20	00-420560-00001	Knob - Top Burner	2
21	00-423709-000G1	Pilot Bracket Assy.	1
	00-411420-00001	Valve - Gas Shut Off (Shipped Loose)	1

MGB SERIES MEDIUM DUTY GAS CHARBROILERS

SERVICE

WARNING: THE CHARBROILER AND ITS PARTS ARE HOT. USE CARE WHEN OPERATING, CLEANING OR SERVICING THE CHARBROILER.

PILOT LIGHT ADJUSTMENT

To adjust the pilot flame, remove the pilot adjustment cap to expose the adjusting screw (Fig. 1). Rotate the adjusting screw clockwise to reduce the gas flow, and counterclockwise to increase the gas flow, to provide a properly sized pilot flame (approximately $\frac{1}{2}$ " to $\frac{3}{4}$ " long). Replace the adjustment cap.

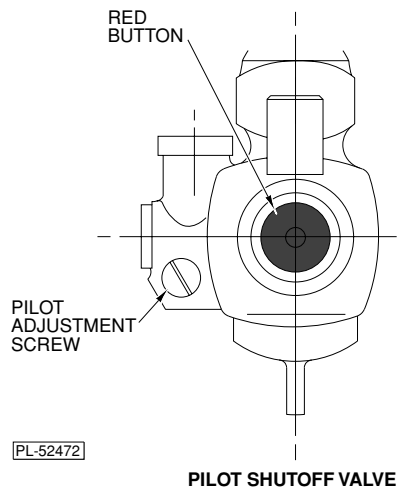


Fig. 1

MAIN BURNER AIR SUPPLY

For efficient burner operation, it is important that a proper balance of gas volume and primary air supply is maintained, resulting in complete combustion. Insufficient air supply results in a yellow streaming flame. Check flames with control knob turned to HI and radiants and top grates removed. Primary air supply is controlled by the air shutter on the front of the burner.

Loosen the hex head screws on front of the burner, and adjust the air shutter to obtain a sharp flame without lifting. Lock the air shutter in place, tightening the screws. Repeat this procedure with all burners.

REMOVING BURNERS

To remove burners for cleaning or replacement: (a) remove the top grates; (b) remove the radiants; (c) remove the burners. Reverse the procedure for reassembly.

To remove the burner drawer: (a) turn off main shutoff valve; (b) disconnect union; (c) remove burner drawer and screws and slide burner drawer forward.

SERVICE TROUBLESHOOTING GUIDE

PROBLEM	POSSIBLE CAUSES
Heat does not come on when control valve is turned on.	<ol style="list-style-type: none">1. Problem with gas valve.2. Pilot burner is not lit.
Pilot burner will not light.	<ol style="list-style-type: none">1. Manual or safety system gas valve not turned on.2. Obstructed pilot orifice.3. Pilot gas turned off at automatic pilot valve.4. Problem with automatic valve.
Pilot burner will not stay lit.	<ol style="list-style-type: none">1. Problem with thermocouple.2. Thermocouple not hot enough.3. Obstructed or wrong size pilot orifice.4. Gas supply not purged of air.5. Air blowing pilot out.

GAS BROILER ALTITUDE/ORIFICES

DEVICE, MG24CB

ALTITUDE	NATURAL GAS ORIFICE PT. NO.		ALTITUDE	PROPANE GAS ORIFICE PT. NO.		ALTITUDE	BUTANE GAS ORIFICE PT. NO.	
sea level -00NAT	#41	(10901-41)	sea level -00PRO	#54	(10901-54)	sea level -00FBU	#55	(10901-55)
-02NAT	#42	(10901-42)	-02PRO	#55	(10901-55)	-02FBU	#56	(10901-56)
-03NAT	#43	(10901-43)	-03PRO	#55	(10910-55)	-03FBU	#57	(10901-57)
-04NAT	#44	(10901-44)	-04PRO	#57	(10901-57)	-04FBU	#58	(10901-58)
-05NAT	#44	(10901-44)	-05PRO	#58	(10901-58)	-05FBU	#59	(10901-59)
-06NAT	#45	(10901-45)	-06PRO	#58	(10910-58)	-06FBU	#60	(10901-60)
-07NAT	#46	(10901-46)	-07PRO	#58	(10910-58)	-07FBU	#61	(10901-61)
-08NAT	#47	(10901-47)	-08PRO	#58	(10901-58)	-08FBU	#62	(10901-62)
-09NAT	#48	(10901-48)	-09PRO	#62	(10901-62)	-09FBU	#63	(10910-63)
-10NAT	#49	(10901-49)	-10PRO	#63	(10901-63)	-10FBU	#64	(10910-64)

Altitude Definitions:

	Natural Gas	Propane Gas	Butane Gas
0 - 2000 ft.	-00NAT	-00PRO	-00FBU
2001 - 2499 ft.	-02NAT	-02PRO	-02FBU
2500 - 3499 ft.	-03NAT	-03PRO	-03FBU
3500 - 4499 ft.	-04NAT	-04PRO	-04FBU
4500 - 5499 ft.	-05NAT	-05PRO	-05FBU
5500 - 6499 ft.	-06NAT	-06PRO	-06FBU
6500 - 7499 ft.	-07NAT	-07PRO	-07FBU
7500 - 8499 ft.	-08NAT	-08PRO	-08FBU
8500 - 9499 ft.	-09NAT	-09PRO	-09FBU
9500 - 10500 ft.	-10NAT	-10PRO	-10FBU

EXPORT GASES: 31FPR (foreign propane gas type G-31)
 20FNA (foreign natural gas type G-20)
 25FNA (foreign natural gas type G-25)
 also are "-00FNA" foreign natural, "-00FPR" foreign propane, "00FBU" foreign butane - not often used.