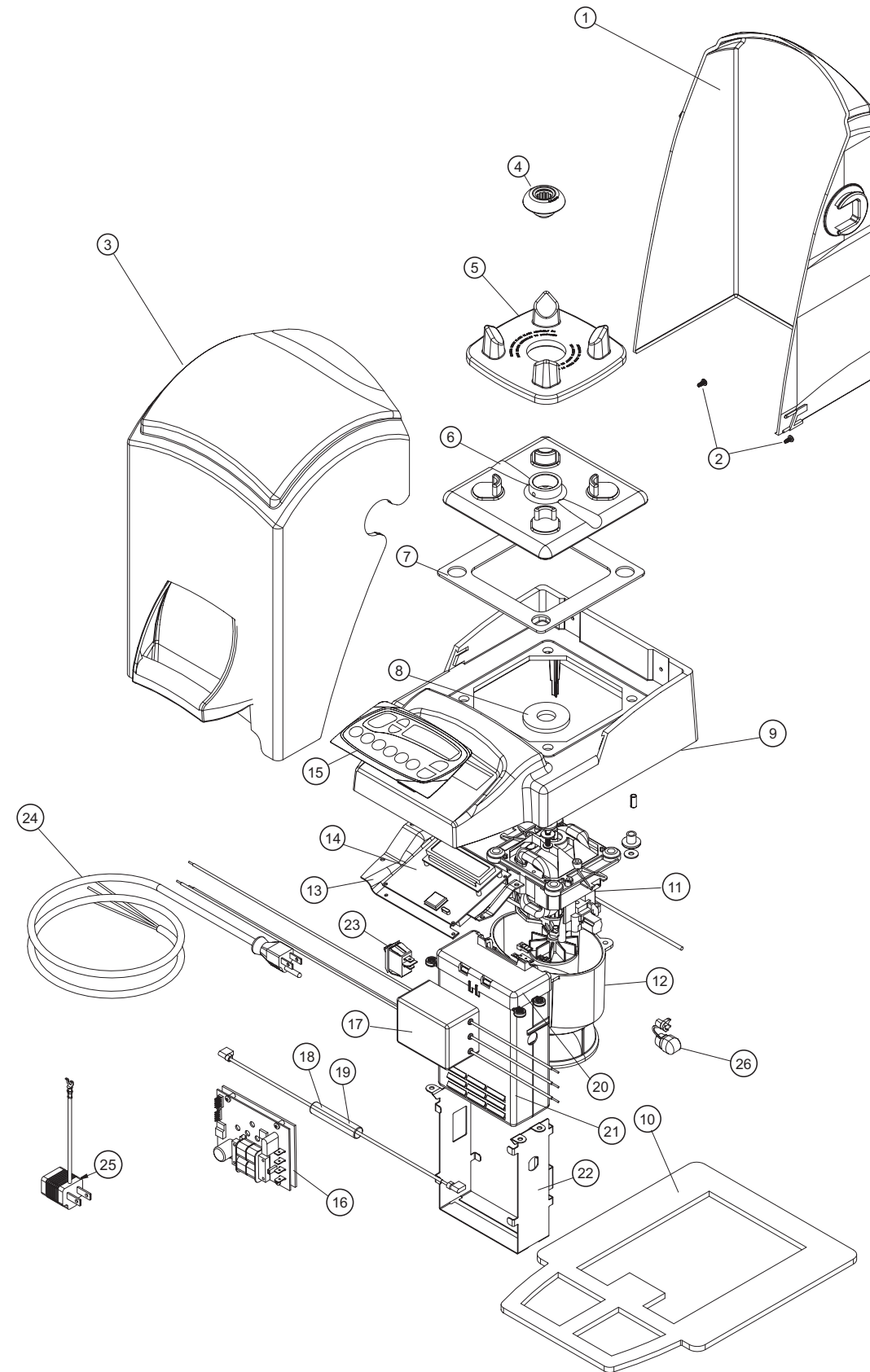


In-Counter Blending Station® MP



In-Counter Blending Station® MP Parts List - 100V, 120V, 220/240V

No.	Item No.	Description	Voltage	Qty.
1	18004	Back Cover Only	All	1
2	18005	Set of 2 Thumbscrews for Back Cover	All	2
3	18003	Door Assembly Only	All	1
4	891	Drive Socket Assembly	All	1
4	15546	Drive Socket Assembly (Set of 2)	All	2
4	15547	Drive Socket Assembly (Set of 5)	All	5
5	15579	MP Centering Pad	All	1
6	CST105	Top Motor Plate	All	1
7	FOM164	Thick Top Motor Plate Gasket	All	1
8	FOM163	Donut Gasket	All	1
9	PLS167	In-Counter Upper Housing	All	1
10	15603	In-Counter Housing Gasket	All	1
11	ASY201	Motor Assembly 3 HP	220/240V	1
11	ASY199	Motor Assembly 3 HP	100/120V	1
12	ASY163	Motor Shroud Assembly	All	1
13	PLS174	Low Voltage Board Holder	All	1
14	ASY162	Low Voltage Board Assembly	All	1
15	LBL425	Blending Station MP In-Counter Touch Pad Label	All	1
15	CTL168	In-Counter Touch Pad	All	1
16	CTL173	High Voltage Board Assembly	120/220/240V	1
16	CTL170	High Voltage Board Assembly	100V	1
17	CTL509	EMI Filter	220/240V	1
18	CTL172	8 Amp Fuse	220/240V	1
19	ASY165	Fuse Holder	220/240V	1
20	PLS170	Electrical Box Cover	All	1
21	PLS171	Electrical Box	All	1
22	STM162	Electrical Box Housing Bracket	220/240V	1
22	STM163	Electrical Box Housing Bracket	100/120V	1
23	CTL805	On/Off Rocker Switch	220/240V	1
23	CTL800	On/Off Rocker Switch	100/120V	1
24	By Country	Power Cord	220/240V	1
24	PLG134	Power Cord	100/120V	1
25	CTL125	Japanese Adapter	100V	1
26	CON800	Power Cord Strain Relief	220/240V	1
26	CON161	Power Cord Strain Relief	100/120V	1