



# GLO-RAY<sup>®</sup>

## *Designer Heated Display Cases*

### *GRCD Series*

---

<i>GRCD-1P</i>	<i>GRCD-2P</i>	<i>GRCD-3P</i>
<i>GRCD-1PD</i>	<i>GRCD-2PD</i>	<i>GRCD-3PD</i>
<i>GRCDH-1P</i>	<i>GRCDH-2P</i>	<i>GRCDH-3P</i>
<i>GRCDH-1PD</i>	<i>GRCDH-2PD</i>	<i>GRCDH-3PD</i>

---

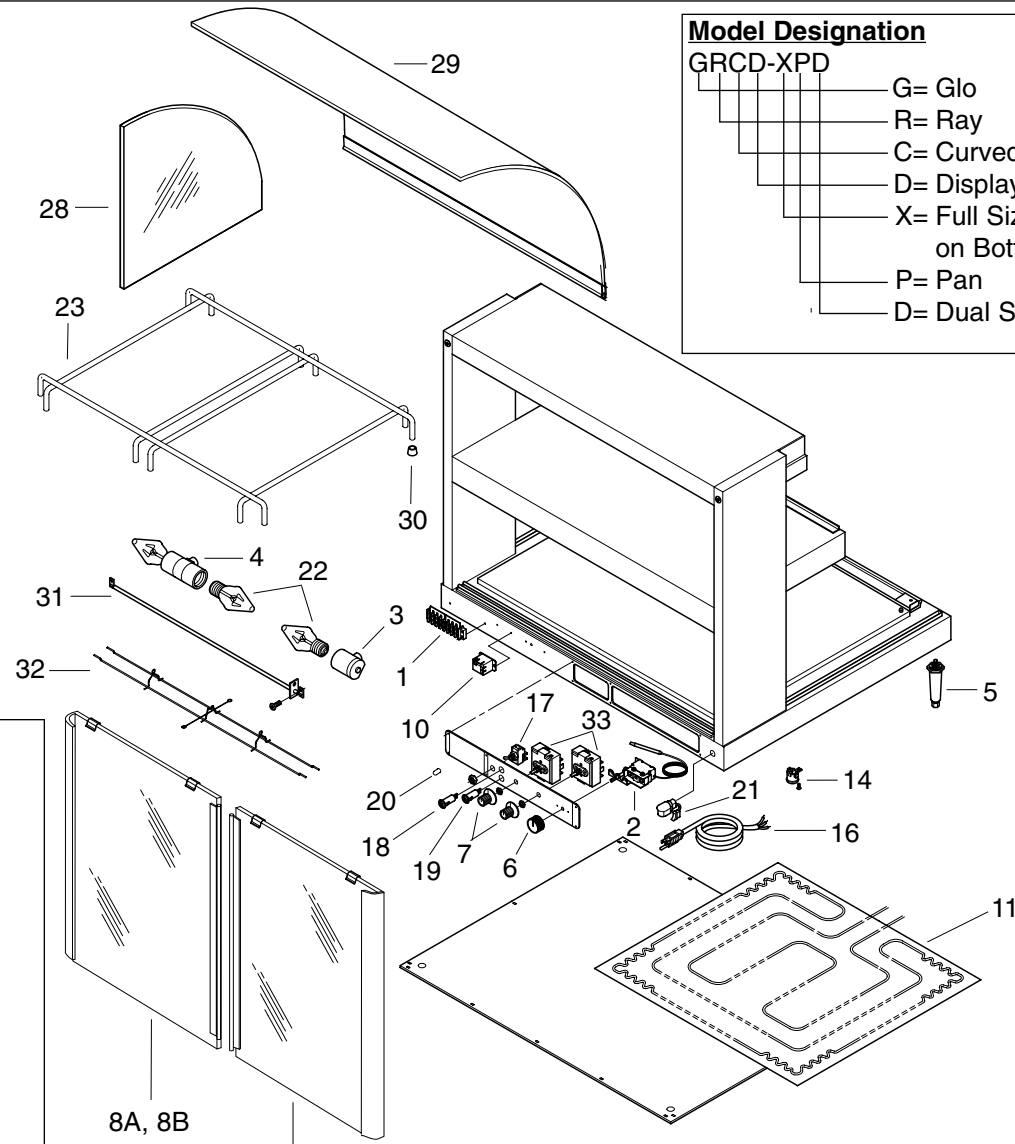
**REPLACEMENT  
PARTS LIST**

---

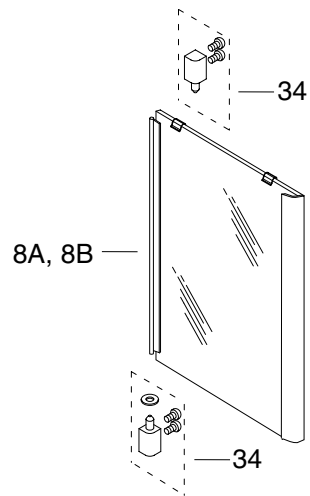
**HATCO GLO-RAY®  
DESIGNER HEATED DISPLAY CASES  
GRCD SERIES**

**Model Designation**

GRCD-XPD	G= Glo
	R= Ray
	C= Curved
	D= Display
	X= Full Size Pan Capacity on Bottom Shelf
	P= Pan
	D= Dual Shelf



**GRCD-1P & GRCDH-1P  
MODELS ONLY**



**⚠ CAUTION - Use of replacement parts other than those supplied by Hatco Corporation may result in damage to the unit or injury to personnel.**



**PARTS COMMON TO ALL GRCD/GRCDH MODELS**

ITEM	DESCRIPTION	PART NO.	QTY.	ITEM	DESCRIPTION	PART NO.	QTY.
1	Terminal Block, 8-Pole	02.15.012.00	1	5	Legs	05.30.007.00	4
2	Thermostat, Base	02.16.030.00	1	6	Knob, Thermostat	05.30.018.00	1
3	Light Socket, Single	02.30.044.00	1-2	7	Knob, Infinite Switch	05.30.043.00	1-3
4	Light Socket, Dual	02.30.045.00	1-2				

**PARTS SPECIFIC TO MODEL GRCD-1P**

ITEM	DESCRIPTION	100V	120V	120V CSA	220V	240V	220-230V CE	230-240V CE
8A	Glass Door	---	R04.40.129.00	R04.40.129.00	R04.40.129.00	R04.40.129.00	R04.40.129.00	R04.40.129.00
8B	Glass Door, Mirror	---	R04.40.138.00	R04.40.138.00	R04.40.138.00	R04.40.138.00	R04.40.138.00	R04.40.138.00
9A	Glass Door	---	---	---	---	---	---	---
9B	Glass Door, Mirror	---	---	---	---	---	---	---
10	Relay	---	---	---	---	---	---	---
11	Heating Element, Base	---	02.05.293.00	02.05.293.00	02.05.294.00	02.05.294.00	02.05.294.00	02.05.294.00
12	Heating Element, Water	---	---	---	---	---	---	---
13	Terminal Block, 3-Pole*	---	---	---	---	---	R02.15.030.00	R02.15.030.00
14	High Limit, Automatic	---	---	---	---	---	---	---
15	High Limit, Manual*	---	---	---	---	---	---	---
16	Power Cord with Plug	---	R02.18.030.00	R02.18.030.00	02.18.077.00	02.18.066.00	02.18.077.00	02.18.066.00
17	On/Off Switch	---	R02.19.016.00	R02.19.016.00	R02.19.008A.00	R02.19.008A.00	R02.19.008A.00	R02.19.008A.00
18	Indicator Light, Red	---	02.19.154.00	02.19.154.00	02.19.151.00	02.19.151.00	---	---
	Indicator Light, Yellow	---	---	---	---	---	---	---
19	Indicator Light, Green	---	---	---	---	---	02.19.150.00	02.19.150.00
20	Rubber Boot, Toggle Switch	---	---	---	---	---	02.20.040.00	02.20.040.00
21	Strain Relief	---	02.20.206.00	02.20.206.00	02.20.212.00	02.20.212.00	02.20.212.00	02.20.212.00
22	Light Bulb	---	02.30.043.00	02.30.043.00	02.30.058.00	02.30.058.00	02.30.058.00	02.30.058.00
23	Pan Rail	---	04.22.364.00	04.22.364.00	04.22.364.00	04.22.364.00	04.22.364.00	04.22.364.00
24	Pan Divider (optional)	---	04.22.400.00	04.22.400.00	04.22.400.00	04.22.400.00	04.22.400.00	04.22.400.00
25	Water Trough	---	---	---	---	---	---	---
26	Pan Enclosure, 2 Pan	---	---	---	---	---	---	---
27	Pan Enclosure, 1 Pan*	---	04.22.357.00	04.22.357.00	04.22.357.00	04.22.357.00	04.22.357.00	04.22.357.00
28	End Glass (Qty. 2)	---	04.40.105.00	04.40.105.00	04.40.105.00	04.40.105.00	04.40.105.00	04.40.105.00
29	Curved Glass, Front	---	R04.40.127.00	R04.40.127.00	R04.40.127.00	R04.40.127.00	R04.40.127.00	R04.40.127.00
30	Rubber Foot, Pan Rail (Qty. 8)	---	05.06.039.00	05.06.039.00	05.06.039.00	05.06.039.00	05.06.039.00	05.06.039.00
31	Heating Element, Upper	---	R02.08.258.00	R02.08.258.00	R02.08.038.00	R02.08.261.00	R02.08.038.00	R02.08.261.00
32	Wire Guard	---	04.08.113.00	04.08.113.00	04.08.113.00	04.08.113.00	04.08.113.00	04.08.113.00
33	Infinite Control Switch	---	R02.19.018.00	R02.19.018.00	R02.19.019.00	R02.19.019.00	R02.19.019.00	R02.19.019.00
34	Hinge Kit	---	R00.01.0115.00	R00.01.0115.00	R00.01.0115.00	R00.01.0115.00	R00.01.0115.00	R00.01.0115.00
	Electrical Drawing	---	HS2-4741	HS2-4741	HS2-4742	HS2-4743	HS2-5149	HS2-5150

Shaded area reflects export models only.

\* Not Shown

**PARTS SPECIFIC TO MODEL GRCD-1PD**

ITEM	DESCRIPTION	100V	120V	120V CSA	220V	240V	220-230V CE	230-240V CE
8A	Glass Door	---	R04.40.130.00	R04.40.130.00	R04.40.130.00	R04.40.130.00	R04.40.130.00	R04.40.130.00
8B	Glass Door, Mirror	---	R04.40.139.00	R04.40.139.00	R04.40.139.00	R04.40.139.00	R04.40.139.00	R04.40.139.00
9A	Glass Door	---	---	---	---	---	---	---
9B	Glass Door, Mirror	---	---	---	---	---	---	---
10	Relay	---	---	---	---	---	---	---
11	Heating Element, Base	---	02.05.293.00	02.05.293.00	02.05.294.00	02.05.294.00	02.05.294.00	02.05.294.00
12	Heating Element, Water	---	---	---	---	---	---	---
13	Terminal Block, 3-Pole*	---	---	---	---	---	R02.15.030.00	R02.15.030.00
14	High Limit, Automatic	---	---	---	---	---	---	---
15	High Limit, Manual*	---	---	---	---	---	---	---
16	Power Cord with Plug	---	R02.18.030.00	R02.18.030.00	02.18.077.00	02.18.066.00	02.18.077.00	02.18.066.00
17	On/Off Switch	---	R02.19.016.00	R02.19.016.00	R02.19.008A.00	R02.19.008A.00	R02.19.008A.00	R02.19.008A.00
18	Indicator Light, Red	---	02.19.154.00	02.19.154.00	02.19.151.00	02.19.151.00	---	---
	Indicator Light, Yellow	---	---	---	---	---	---	---
19	Indicator Light, Green	---	---	---	---	---	02.19.150.00	02.19.150.00
20	Rubber Boot, Toggle Switch	---	---	---	---	---	02.20.040.00	02.20.040.00
21	Strain Relief	---	02.20.206.00	02.20.206.00	02.20.212.00	02.20.212.00	02.20.212.00	02.20.212.00
22	Light Bulb	---	02.30.043.00	02.30.043.00	02.30.058.00	02.30.058.00	02.30.058.00	02.30.058.00
23	Pan Rail	---	04.22.364.00	04.22.364.00	04.22.364.00	04.22.364.00	04.22.364.00	04.22.364.00
24	Pan Divider (optional)	---	04.22.400.00	04.22.400.00	04.22.400.00	04.22.400.00	04.22.400.00	04.22.400.00
25	Water Trough	---	---	---	---	---	---	---
26	Pan Enclosure, 2 Pan	---	---	---	---	---	---	---
27	Pan Enclosure, 1 Pan*	---	04.22.357.00	04.22.357.00	04.22.357.00	04.22.357.00	04.22.357.00	04.22.357.00
28	End Glass (Qty. 2)	---	04.40.091.00	04.40.091.00	04.40.091.00	04.40.091.00	04.40.091.00	04.40.091.00
29	Curved Glass, Front	---	R04.40.128.00	R04.40.128.00	R04.40.128.00	R04.40.128.00	R04.40.128.00	R04.40.128.00
30	Rubber Foot, Pan Rail (Qty. 8)	---	05.06.039.00	05.06.039.00	05.06.039.00	05.06.039.00	05.06.039.00	05.06.039.00
31	Heating Element, Upper (Qty. 3)	---	R02.08.258.00	R02.08.258.00	R02.08.038.00	R02.08.261.00	R02.08.038.00	R02.08.261.00
32	Wire Guard (Qty. 2)	---	04.08.113.00	04.08.113.00	04.08.113.00	04.08.113.00	04.08.113.00	04.08.113.00
33	Infinite Control Switch (Qty. 2)	---	R02.19.018.00	R02.19.018.00	R02.19.019.00	R02.19.019.00	R02.19.019.00	R02.19.019.00
34	Hinge Kit	---	R00.01.0115.00	R00.01.0115.00	R00.01.0115.00	R00.01.0115.00	R00.01.0115.00	R00.01.0115.00
	Electrical Drawing	---	HS2-4748	HS2-4748	HS2-4749	HS2-4750	HS2-5153	HS2-5154

Shaded area reflects export models only.

\* Not Shown

**PARTS SPECIFIC TO MODEL GRCDH-1P**

ITEM	DESCRIPTION	100V	120V	120V CSA	220V	240V	220-230V CE	230-240V CE
8A	Glass Door	---	R04.40.129.00	R04.40.129.00	R04.40.129.00	R04.40.129.00	R04.40.129.00	R04.40.129.00
8B	Glass Door, Mirror	---	R04.40.138.00	R04.40.138.00	R04.40.138.00	R04.40.138.00	R04.40.138.00	R04.40.138.00
9A	Glass Door	---	---	---	---	---	---	---
9B	Glass Door, Mirror	---	---	---	---	---	---	---
10	Relay	---	02.01.088.00	02.01.088.00	02.01.180.00	02.01.105.00	02.01.180.00	02.01.105.00
11	Heating Element, Base	---	02.05.293.00	02.05.293.00	02.05.294.00	02.05.294.00	02.05.294.00	02.05.294.00
12	Heating Element, Water	---	02.05.295.00	02.05.295.00	02.05.296.00	02.05.296.00	02.05.296.00	02.05.296.00
13	Terminal Block, 3-Pole*	---	---	---	---	---	R02.15.030.00	R02.15.030.00
14	High Limit, Automatic	---	R02.16.036.00	R02.16.036.00	R02.16.036.00	R02.16.036.00	R02.16.036.00	R02.16.036.00
15	High Limit, Manual*	---	02.16.071.00	02.16.071.00	02.16.071.00	02.16.071.00	02.16.071.00	02.16.071.00
16	Power Cord with Plug	---	R02.18.030.00	R02.18.030.00	02.18.077.00	02.18.066.00	02.18.077.00	02.18.066.00
17	On/Off Switch	---	R02.19.016.00	R02.19.016.00	R02.19.008A.00	R02.19.008A.00	R02.19.008A.00	R02.19.008A.00
18	Indicator Light, Red	---	02.19.154.00	02.19.154.00	02.19.151.00	02.19.151.00	---	---
	Indicator Light, Yellow	---	---	---	---	---	02.19.152.00	02.19.152.00
19	Indicator Light, Green	---	02.19.155.00	02.19.155.00	02.19.150.00	02.19.150.00	02.19.150.00	02.19.150.00
20	Rubber Boot, Toggle Switch	---	---	---	---	---	02.20.040.00	02.20.040.00
21	Strain Relief	---	02.20.206.00	02.20.206.00	02.20.212.00	02.20.212.00	02.20.212.00	02.20.212.00
22	Light Bulb	---	02.30.043.00	02.30.043.00	02.30.058.00	02.30.058.00	02.30.058.00	02.30.058.00
23	Pan Rail	---	---	---	---	---	---	---
24	Pan Divider (optional)	---	04.22.400.00	04.22.400.00	04.22.400.00	04.22.400.00	04.22.400.00	04.22.400.00
25	Water Trough	---	04.22.403.00	04.22.403.00	04.22.403.00	04.22.403.00	04.22.403.00	04.22.403.00
26	Pan Enclosure, 2 Pan	---	---	---	---	---	---	---
27	Pan Enclosure, 1 Pan*	---	04.22.357.00	04.22.357.00	04.22.357.00	04.22.357.00	04.22.357.00	04.22.357.00
28	End Glass (Qty. 2)	---	04.40.105.00	04.40.105.00	04.40.105.00	04.40.105.00	04.40.105.00	04.40.105.00
29	Curved Glass, Front	---	R04.40.127.00	R04.40.127.00	R04.40.127.00	R04.40.127.00	R04.40.127.00	R04.40.127.00
30	Rubber Foot, Pan Rail	---	---	---	---	---	---	---
31	Heating Element, Upper	---	R02.08.258.00	R02.08.258.00	R02.08.038.00	R02.08.261.00	R02.08.038.00	R02.08.261.00
32	Wire Guard	---	04.08.113.00	04.08.113.00	04.08.113.00	04.08.113.00	04.08.113.00	04.08.113.00
33	Infinite Control Switch (Qty. 2)	---	R02.19.018.00	R02.19.018.00	R02.19.019.00	R02.19.019.00	R02.19.019.00	R02.19.019.00
34	Hinge Kit	---	R00.01.0115.00	R00.01.0115.00	R00.01.0115.00	R00.01.0115.00	R00.01.0115.00	R00.01.0115.00
	Electrical Drawing	---	HS2-4744	HS2-4744	HS2-4745	HS2-4746	HS2-5151	HS2-5152

Shaded area reflects export models only.

\* Not Shown

**PARTS SPECIFIC TO MODEL GRCDH-1PD**

ITEM	DESCRIPTION	100V	120V	120V CSA	220V	240V	220-230V CE	230-240V CE
8A	Glass Door	---	R04.40.130.00	R04.40.130.00	R04.40.130.00	R04.40.130.00	R04.40.130.00	R04.40.130.00
8B	Glass Door, Mirror	---	R04.40.139.00	R04.40.139.00	R04.40.139.00	R04.40.139.00	R04.40.139.00	R04.40.139.00
9A	Glass Door	---	---	---	---	---	---	---
9B	Glass Door, Mirror	---	---	---	---	---	---	---
10	Relay	---	02.01.088.00	02.01.088.00	02.01.180.00	02.01.105.00	02.01.180.00	02.01.105.00
11	Heating Element, Base (Qty. 2)	---	02.05.293.00	02.05.293.00	02.05.294.00	02.05.294.00	02.05.294.00	02.05.294.00
12	Heating Element, Water	---	02.05.295.00	02.05.295.00	02.05.296.00	02.05.296.00	02.05.296.00	02.05.296.00
13	Terminal Block, 3-Pole*	---	---	---	---	---	R02.15.030.00	R02.15.030.00
14	High Limit, Automatic	---	R02.16.036.00	R02.16.036.00	R02.16.036.00	R02.16.036.00	R02.16.036.00	R02.16.036.00
15	High Limit, Manual*	---	02.16.071.00	02.16.071.00	02.16.071.00	02.16.071.00	02.16.071.00	02.16.071.00
16	Power Cord with Plug	---	R02.18.030.00	R02.18.030.00	02.18.077.00	02.18.066.00	02.18.077.00	02.18.066.00
17	On/Off Switch	---	R02.19.016.00	R02.19.016.00	R02.19.008A.00	R02.19.008A.00	R02.19.008A.00	R02.19.008A.00
18	Indicator Light, Red	---	02.19.154.00	02.19.154.00	02.19.151.00	02.19.151.00	---	---
	Indicator Light, Yellow	---	---	---	---	---	02.19.152.00	02.19.152.00
19	Indicator Light, Green	---	02.19.155.00	02.19.155.00	02.19.150.00	02.19.150.00	02.19.150.00	02.19.150.00
20	Rubber Boot, Toggle Switch	---	---	---	---	---	02.20.040.00	02.20.040.00
21	Strain Relief	---	02.20.206.00	02.20.206.00	02.20.212.00	02.20.212.00	02.20.212.00	02.20.212.00
22	Light Bulb	---	02.30.043.00	02.30.043.00	02.30.058.00	02.30.058.00	02.30.058.00	02.30.058.00
23	Pan Rail	---	---	---	---	---	---	---
24	Pan Divider (optional)	---	04.22.400.00	04.22.400.00	04.22.400.00	04.22.400.00	04.22.400.00	04.22.400.00
25	Water Trough	---	04.22.403.00	04.22.403.00	04.22.403.00	04.22.403.00	04.22.403.00	04.22.403.00
26	Pan Enclosure, 2 Pan	---	---	---	---	---	---	---
27	Pan Enclosure, 1 Pan*	---	04.22.357.00	04.22.357.00	04.22.357.00	04.22.357.00	04.22.357.00	04.22.357.00
28	End Glass (Qty. 2)	---	04.40.091.00	04.40.091.00	04.40.091.00	04.40.091.00	04.40.091.00	04.40.091.00
29	Curved Glass, Front	---	R04.40.128.00	R04.40.128.00	R04.40.128.00	R04.40.128.00	R04.40.128.00	R04.40.128.00
30	Rubber Foot, Pan Rail	---	---	---	---	---	---	---
31	Heating Element, Upper (Qty. 3)	---	R02.08.258.00	R02.08.258.00	R02.08.038.00	R02.08.261.00	R02.08.038.00	R02.08.261.00
32	Wire Guard	---	04.08.113.00	04.08.113.00	04.08.113.00	04.08.113.00	04.08.113.00	04.08.113.00
33	Infinite Control Switch (Qty. 3)	---	R02.19.018.00	R02.19.018.00	R02.19.019.00	R02.19.019.00	R02.19.019.00	R02.19.019.00
34	Hinge Kit	---	R00.01.0115.00	R00.01.0115.00	R00.01.0115.00	R00.01.0115.00	R00.01.0115.00	R00.01.0115.00
	Electrical Drawing	---	HS2-4751	HS2-4751	HS2-4752	HS2-4753	HS2-5155	HS2-5156

Shaded area reflects export models only.

\* Not Shown

**PARTS SPECIFIC TO MODEL GRCD-2P**

ITEM	DESCRIPTION	100V	120V	120V CSA	220V	240V	220-230V CE	230-240V CE
8A	Glass Door, Inner	---	R00.01.0026.00	R00.01.0026.00	R00.01.0026.00	R00.01.0026.00	R00.01.0026.00	R00.01.0026.00
8B	Glass Door, Inner, Mirror	---	R00.01.0034.00	R00.01.0034.00	R00.01.0034.00	R00.01.0034.00	R00.01.0034.00	R00.01.0034.00
9A	Glass Door, Outer	---	R00.01.0025.00	R00.01.0025.00	R00.01.0025.00	R00.01.0025.00	R00.01.0025.00	R00.01.0025.00
9B	Glass Door, Outer, Mirror	---	R00.01.0033.00	R00.01.0033.00	R00.01.0033.00	R00.01.0033.00	R00.01.0033.00	R00.01.0033.00
10	Relay	---	---	---	---	---	---	---
11	Heating Element, Base (Qty. 2)	---	02.05.293.00	02.05.293.00	02.05.294.00	02.05.294.00	02.05.294.00	02.05.294.00
12	Heating Element, Water	---	---	---	---	---	---	---
13	Terminal Block, 3-Pole*	---	---	---	---	---	02.15.030.00	02.15.030.00
14	High Limit, Automatic	---	---	---	---	---	---	---
15	High Limit, Manual*	---	---	---	---	---	---	---
16	Power Cord with Plug	---	R02.18.030.00	R02.18.030.00	02.18.077.00	02.18.066.00	02.18.077.00	02.18.066.00
17	On/Off Switch	---	02.19.016.00	02.19.016.00	02.19.006.00	02.19.006.00	02.19.008A.00	02.19.008A.00
18	Indicator Light, Red	---	02.19.154.00	02.19.154.00	02.19.151.00	02.19.151.00	---	---
	Indicator Light, Yellow	---	---	---	---	---	---	---
19	Indicator Light, Green	---	---	---	---	---	02.19.150.00	02.19.150.00
20	Rubber Boot, Toggle Switch	---	---	---	---	---	02.20.040.00	02.20.040.00
21	Strain Relief	---	02.20.206.00	02.20.206.00	02.20.212.00	02.20.212.00	02.20.212.00	02.20.212.00
22	Light Bulb (Qty. 3)	---	02.30.043.00	02.30.043.00	02.30.058.00	02.30.058.00	02.30.058.00	02.30.058.00
23	Pan Rail	---	04.22.030.00	04.22.030.00	04.22.030.00	04.22.030.00	04.22.030.00	04.22.030.00
24	Pan Divider (optional)	---	04.22.400.00	04.22.400.00	04.22.400.00	04.22.400.00	04.22.400.00	04.22.400.00
25	Water Trough	---	---	---	---	---	---	---
26	Pan Enclosure, 2 Pan (optional)	---	04.22.406.00	04.22.406.00	04.22.406.00	04.22.406.00	04.22.406.00	04.22.406.00
27	Pan Enclosure, 1 Pan*	---	---	---	---	---	---	---
28	End Glass (Qty. 2)	---	04.40.105.00	04.40.105.00	04.40.105.00	04.40.105.00	04.40.105.00	04.40.105.00
29	Curved Glass, Front	---	04.40.106.00	R04.40.106.00	R04.40.106.00	R04.40.106.00	R04.40.106.00	R04.40.106.00
30	Rubber Foot, Pan Rail (Qty. 12)	---	05.06.039.00	05.06.039.00	05.06.039.00	05.06.039.00	05.06.039.00	05.06.039.00
31	Heating Element, Upper	---	R02.08.202.00	R02.08.202.00	R02.08.250.00	R02.08.251.00	R02.08.250.00	R02.08.251.00
32	Wire Guard	---	04.08.112.00	04.08.112.00	04.08.112.00	04.08.112.00	04.08.112.00	04.08.112.00
33	Infinite Control Switch	---	R02.19.018.00	R02.19.018.00	R02.19.019.00	R02.19.019.00	R02.19.019.00	R02.19.019.00
	Electrical Drawing	---	HS2-3538	HS2-3538	HS2-3542	HS2-3542	HS2-4159	HS2-4160

Shaded area reflects export models only.

\* Not Shown

**PARTS SPECIFIC TO MODEL GRCD-2PD**

ITEM	DESCRIPTION	100V	120V	120V CSA	220V	240V	220-230V CE	230-240V CE
8A	Glass Door, Inner	---	R00.01.0030.00	R00.01.0030.00	R00.01.0030.00	R00.01.0030.00	R00.01.0030.00	R00.01.0030.00
8B	Glass Door, Inner, Mirror	---	R00.01.0038.00	R00.01.0038.00	R00.01.0038.00	R00.01.0038.00	R00.01.0038.00	R00.01.0038.00
9A	Glass Door, Outer	---	R00.01.0029.00	R00.01.0029.00	R00.01.0029.00	R00.01.0029.00	R00.01.0029.00	R00.01.0029.00
9B	Glass Door, Outer, Mirror	---	R00.01.0037.00	R00.01.0037.00	R00.01.0037.00	R00.01.0037.00	R00.01.0037.00	R00.01.0037.00
10	Relay	---	---	---	---	---	---	---
11	Heating Element, Base (Qty. 2)	---	02.05.293.00	02.05.293.00	02.05.294.00	02.05.294.00	02.05.294.00	02.05.294.00
12	Heating Element, Water	---	---	---	---	---	---	---
13	Terminal Block, 3-Pole*	---	---	---	---	---	02.15.030.00	02.15.030.00
14	High Limit, Automatic	---	---	---	---	---	---	---
15	High Limit, Manual*	---	---	---	---	---	---	---
16	Power Cord with Plug	---	R02.18.030.00	R02.18.030.00	02.18.077.00	02.18.068.00	02.18.077.00	02.18.068.00
17	On/Off Switch	---	02.19.016.00	02.19.016.00	02.19.006.00	02.19.006.00	02.19.006.00	02.19.006.00
18	Indicator Light, Red	---	02.19.154.00	02.19.154.00	02.19.151.00	02.19.151.00	---	---
	Indicator Light, Yellow	---	---	---	---	---	---	---
19	Indicator Light, Green	---	---	---	---	---	02.19.150.00	02.19.150.00
20	Rubber Boot, Toggle Switch	---	---	---	---	---	02.20.040.00	02.20.040.00
21	Strain Relief	---	02.20.206.00	02.20.212.00	02.20.206.00	02.20.206.00	02.20.212.00	02.20.212.00
22	Light Bulb (Qty. 3)	---	02.30.043.00	02.30.043.00	02.30.058.00	02.30.058.00	02.30.058.00	02.30.058.00
23	Pan Rail	---	04.22.030.00	04.22.030.00	04.22.030.00	04.22.030.00	04.22.030.00	04.22.030.00
24	Pan Divider (optional)	---	04.22.400.00	04.22.400.00	04.22.400.00	04.22.400.00	04.22.400.00	04.22.400.00
25	Water Trough	---	---	---	---	---	---	---
26	Pan Enclosure, 2 Pan (optional)	---	04.22.406.00	04.22.406.00	04.22.406.00	04.22.406.00	04.22.406.00	04.22.406.00
27	Pan Enclosure, 1 Pan*	---	---	---	---	---	---	---
28	End Glass (Qty. 2)	---	04.40.091.00	04.40.091.00	04.40.091.00	04.40.091.00	04.40.091.00	04.40.091.00
29	Curved Glass, Front	---	R04.40.095.00	R04.40.095.00	R04.40.095.00	R04.40.095.00	R04.40.095.00	R04.40.095.00
30	Rubber Foot, Pan Rail (Qty. 12)	---	05.06.039.00	05.06.039.00	05.06.039.00	05.06.039.00	05.06.039.00	05.06.039.00
31	Heating Element, Upper (Qty. 3)	---	R02.08.222.00	R02.08.222.00	R02.08.232.00	R02.08.232.00	R02.08.232.00	R02.08.265.00
32	Wire Guard (Qty. 3)	---	04.08.112.00	04.08.112.00	04.08.112.00	04.08.112.00	04.08.112.00	04.08.112.00
33	Infinite Control Switch (Qty. 2)	---	R02.19.018.00	R02.19.018.00	R02.19.019.00	R02.19.019.00	R02.19.019.00	R02.19.019.00
	Electrical Drawing	---	HS2-3314	HS2-3314	HS2-3420	HS2-3422	HS2-4167	HS2-4170

Shaded area reflects export models only.

\* Not Shown

**PARTS SPECIFIC TO MODEL GRCDH-2P**

ITEM	DESCRIPTION	100V	120V	120V CSA	220V	240V	220-230V CE	230-240V CE
8A	Glass Door, Inner	R00.01.0026.00	R00.01.0026.00	R00.01.0026.00	R00.01.0026.00	R00.01.0026.00	R00.01.0026.00	R00.01.0026.00
8B	Glass Door, Inner, Mirror	R00.01.0034.00	R00.01.0034.00	R00.01.0034.00	R00.01.0034.00	R00.01.0034.00	R00.01.0034.00	R00.01.0034.00
9A	Glass Door, Outer	R00.01.0025.00	R00.01.0025.00	R00.01.0025.00	R00.01.0025.00	R00.01.0025.00	R00.01.0025.00	R00.01.0025.00
9B	Glass Door, Outer, Mirror	R00.01.0033.00	R00.01.0033.00	R00.01.0033.00	R00.01.0033.00	R00.01.0033.00	R00.01.0033.00	R00.01.0033.00
10	Relay	02.01.088.00	02.01.088.00	02.01.088.00	02.01.180.00	02.01.105.00	02.01.180.00	02.01.105.00
11	Heating Element, Base (Qty. 2)	02.05.507.00	02.05.293.00	02.05.293.00	02.05.294.00	02.05.294.00	02.05.294.00	02.05.294.00
12	Heating Element, Water	02.05.508.00	02.05.295.00	02.05.295.00	02.05.296.00	02.05.296.00	02.05.296.00	02.05.296.00
13	Terminal Block, 3-Pole*	---	---	---	---	---	02.15.030.00	02.15.030.00
14	High Limit, Automatic	R02.16.036.00	R02.16.036.00	R02.16.036.00	R02.16.036.00	R02.16.036.00	R02.16.036.00	R02.16.036.00
15	High Limit, Manual*	02.16.071.00	02.16.071.00	02.16.071.00	02.16.071.00	02.16.071.00	02.16.071.00	02.16.071.00
16	Power Cord with Plug	R02.18.030.00	R02.18.030.00	R02.18.030.00	02.18.077.00	02.18.066.00	02.18.077.00	02.18.066.00
17	On/Off Switch	R02.19.016.00	02.19.016.00	02.19.016.00	02.19.008A.00	02.19.008A.00	02.19.008A.00	02.19.008A.00
18	Indicator Light, Red (Qty. 2)	02.19.154.00	02.19.154.00	02.19.154.00	02.19.151.00	02.19.151.00	---	---
	Indicator Light, Yellow	---	---	---	---	---	02.19.152.00	02.19.152.00
19	Indicator Light, Green	02.19.155.00	02.19.155.00	02.19.155.00	02.19.150.00	02.19.150.00	02.19.150.00	02.19.150.00
20	Rubber Boot, Toggle Switch	---	---	---	---	---	02.20.040.00	02.20.040.00
21	Strain Relief	02.20.206.00	02.20.206.00	02.20.206.00	02.20.212.00	02.20.212.00	02.20.212.00	02.20.212.00
22	Light Bulb (Qty. 3)	02.30.043.00	02.30.043.00	02.30.043.00	02.30.058.00	02.30.058.00	02.30.058.00	02.30.058.00
23	Pan Rail	---	---	---	---	---	---	---
24	Pan Divider (optional)	04.22.400.00	04.22.400.00	04.22.400.00	04.22.400.00	04.22.400.00	04.22.400.00	04.22.400.00
25	Water Trough	04.22.403.00	04.22.403.00	04.22.403.00	04.22.403.00	04.22.403.00	04.22.403.00	04.22.403.00
26	Pan Enclosure, 2 Pan (optional)	04.22.406.00	04.22.406.00	04.22.406.00	04.22.406.00	04.22.406.00	04.22.406.00	04.22.406.00
27	Pan Enclosure, 1 Pan*	---	---	---	---	---	---	---
28	End Glass (Qty. 2)	04.40.105.00	04.40.105.00	04.40.105.00	04.40.105.00	04.40.105.00	04.40.105.00	04.40.105.00
29	Curved Glass, Front	R04.40.106.00	R04.40.106.00	R04.40.106.00	R04.40.106.00	R04.40.106.00	R04.40.106.00	R04.40.106.00
30	Rubber Foot, Pan Rail	---	---	---	---	---	---	---
31	Heating Element, Upper	R02.08.560.00	R02.08.202.00	R02.08.202.00	R02.08.250.00	R02.08.251.00	R02.08.250.00	R02.08.251.00
32	Wire Guard	04.08.112.00	04.08.112.00	04.08.112.00	04.08.112.00	04.08.112.00	04.08.112.00	04.08.112.00
33	Infinite Control Switch (Qty. 2)	R02.19.160.00	R02.19.018.00	R02.19.018.00	R02.19.019.00	R02.19.019.00	R02.19.019.00	R02.19.019.00
	Electrical Drawing	HS2-5825	HS2-3544	HS2-3544	HS2-3546	HS2-3548	HS2-4163	HS2-4164

Shaded area reflects export models only.

\* Not Shown

**PARTS SPECIFIC TO MODEL GRCDH-2PD**

ITEM	DESCRIPTION	100V	120V	120V CSA	220V	240V	220-230V CE	230-240V CE
8A	Glass Door, Inner	---	R00.01.0030.00	R00.01.0030.00	R00.01.0030.00	R00.01.0030.00	R00.01.0030.00	R00.01.0030.00
8B	Glass Door, Inner, Mirror	---	R00.01.0038.00	R00.01.0038.00	R00.01.0038.00	R00.01.0038.00	R00.01.0038.00	R00.01.0038.00
9A	Glass Door, Outer	---	R00.01.0029.00	R00.01.0029.00	R00.01.0029.00	R00.01.0029.00	R00.01.0029.00	R00.01.0029.00
9B	Glass Door, Outer, Mirror	---	R00.01.0037.00	R00.01.0037.00	R00.01.0037.00	R00.01.0037.00	R00.01.0037.00	R00.01.0037.00
10	Relay	---	02.01.088.00	02.01.088.00	02.01.180.00	02.01.105.00	02.01.180.00	02.01.105.00
11	Heating Element, Base (Qty. 2)	---	02.05.293.00	02.05.293.00	02.05.294.00	02.05.294.00	02.05.294.00	02.05.294.00
12	Heating Element, Water	---	02.05.295.00	02.05.295.00	02.05.296.00	02.05.296.00	02.05.296.00	02.05.296.00
13	Terminal Block, 3-Pole*	---	---	---	---	---	02.15.030.00	02.15.030.00
14	High Limit, Automatic	---	R02.16.036.00	R02.16.036.00	R02.16.036.00	R02.16.036.00	R02.16.036.00	R02.16.036.00
15	High Limit, Manual*	---	02.16.071.00	02.16.071.00	02.16.071.00	02.16.071.00	02.16.071.00	02.16.071.00
16	Power Cord with Plug	---	R02.18.030.00	R02.18.083.00	02.18.077.00	02.18.068.00	02.18.077.00	02.18.068.00
17	On/Off Switch	---	02.19.016.00	02.19.016.00	02.19.006.00	02.19.006.00	02.19.006.00	02.19.006.00
18	Indicator Light, Red	---	02.19.154.00	02.19.154.00	02.19.151.00	02.19.151.00	---	---
	Indicator Light, Yellow	---	---	---	---	---	02.19.152.00	02.19.152.00
19	Indicator Light, Green	---	02.19.155.00	02.19.155.00	02.19.150.00	02.19.150.00	02.19.150.00	02.19.150.00
20	Rubber Boot, Toggle Switch	---	---	---	---	---	02.20.040.00	02.20.040.00
21	Strain Relief	---	02.20.206.00	02.20.212.00	02.20.212.00	02.20.212.00	02.20.212.00	02.20.212.00
22	Light Bulb (Qty. 6)	---	02.30.043.00	02.30.043.00	02.30.058.00	02.30.058.00	02.30.058.00	02.30.058.00
23	Pan Rail	---	---	---	---	---	---	---
24	Pan Divider (optional)	---	04.22.400.00	04.22.400.00	04.22.400.00	04.22.400.00	04.22.400.00	04.22.400.00
25	Water Trough	---	04.22.403.00	04.22.403.00	04.22.403.00	04.22.403.00	04.22.403.00	04.22.403.00
26	Pan Enclosure, 2 Pan (optional)	---	04.22.406.00	04.22.406.00	04.22.406.00	04.22.406.00	04.22.406.00	04.22.406.00
27	Pan Enclosure, 1 Pan*	---	---	---	---	---	---	---
28	End Glass (Qty. 2)	---	04.40.091.00	04.40.091.00	04.40.091.00	04.40.091.00	04.40.091.00	04.40.091.00
29	Curved Glass, Front	---	R04.40.095.00	R04.40.095.00	R04.40.095.00	R04.40.095.00	R04.40.095.00	R04.40.095.00
30	Rubber Foot, Pan Rail (Qty. 12)	---	---	---	---	---	---	---
31	Heating Element, Upper (Qty. 3)	---	R02.08.222.00	R02.08.222.00	R02.08.232.00	R02.08.232.00	R02.08.232.00	R02.08.232.00
32	Wire Guard (Qty. 3)	---	04.08.112.00	04.08.112.00	04.08.112.00	04.08.112.00	04.08.112.00	04.08.112.00
33	Infinite Control Switch (Qty. 3)	---	R02.19.018.00	R02.19.018.00	R02.19.019.00	R02.19.019.00	R02.19.019.00	R02.19.019.00
	Electrical Drawing	---	HS2-3313	HS2-3313	HS2-3419	HS2-3421	HS2-4171	HS2-4172

Shaded area reflects export models only.

\* Not Shown

**PARTS SPECIFIC TO MODEL GRCD-3P**

ITEM	DESCRIPTION	100V	120V	120V CSA	220V	240V	220-230V CE	230-240V CE
8A	Glass Door, Inner	---	R00.01.0028.00	R00.01.0028.00	R00.01.0028.00	R00.01.0028.00	R00.01.0028.00	R00.01.0028.00
8B	Glass Door, Inner, Mirror	---	R00.01.0036.00	R00.01.0036.00	R00.01.0036.00	R00.01.0036.00	R00.01.0036.00	R00.01.0036.00
9A	Glass Door, Outer	---	R00.01.0027.00	R00.01.0027.00	R00.01.0027.00	R00.01.0027.00	R00.01.0027.00	R00.01.0027.00
9B	Glass Door, Outer, Mirror	---	R00.01.0035.00	R00.01.0035.00	R00.01.0035.00	R00.01.0035.00	R00.01.0035.00	R00.01.0035.00
10	Relay	---	---	---	---	---	---	---
11	Heating Element, Base (Qty. 3)	---	02.05.293.00	02.05.293.00	02.05.294.00	02.05.294.00	02.05.294.00	02.05.294.00
12	Heating Element, Water	---	---	---	---	---	---	---
13	Terminal Block, 3-Pole*	---	---	---	---	---	02.15.030.00	02.15.030.00
14	High Limit, Automatic	---	---	---	---	---	---	---
15	High Limit, Manual*	---	---	---	---	---	---	---
16	Power Cord with Plug	---	R02.18.030.00	R02.18.030.00	02.18.077.00	02.18.066.00	02.18.077.00	02.18.068.00
17	On/Off Switch	---	02.19.016.00	02.19.016.00	02.19.006.00	02.19.006.00	02.19.008A.00	02.19.008A.00
18	Indicator Light, Red	---	02.19.154.00	02.19.154.00	02.19.151.00	02.19.151.00	---	---
	Indicator Light, Yellow	---	---	---	---	---	---	---
19	Indicator Light, Green	---	---	---	---	---	02.19.150.00	02.19.150.00
20	Rubber Boot, Toggle Switch	---	---	---	---	---	02.20.040.00	02.20.040.00
21	Strain Relief	---	02.20.206.00	02.20.206.00	02.20.212.00	02.20.212.00	02.20.212.00	02.20.212.00
22	Light Bulb (Qty. 3)	---	02.30.043.00	02.30.043.00	02.30.058.00	02.30.058.00	02.30.058.00	02.30.058.00
23	Pan Rail	---	04.22.031.00	04.22.031.00	04.22.031.00	04.22.031.00	04.22.031.00	04.22.031.00
24	Pan Divider (optional)	---	04.22.400.00	04.22.400.00	04.22.400.00	04.22.400.00	04.22.400.00	04.22.400.00
25	Water Trough	---	---	---	---	---	---	---
26	Pan Enclosure, 2 Pan (optional)	---	04.22.406.00	04.22.406.00	04.22.406.00	04.22.406.00	04.22.406.00	04.22.406.00
27	Pan Enclosure, 1 Pan*	---	04.22.407.00	04.22.407.00	04.22.407.00	04.22.407.00	04.22.407.00	04.22.407.00
28	End Glass (Qty. 2)	---	04.40.105.00	04.40.105.00	04.40.105.00	04.40.105.00	04.40.105.00	04.40.105.00
29	Curved Glass, Front	---	R04.40.107.00	R04.40.107.00	R04.40.107.00	R04.40.107.00	R04.40.107.00	R04.40.107.00
30	Rubber Foot, Pan Rail (Qty. 16)	---	05.06.039.00	05.06.039.00	05.06.039.00	05.06.039.00	05.06.039.00	05.06.039.00
31	Heating Element, Upper	---	R02.08.216.00	R02.08.216.00	R02.08.253.00	R02.08.254.00	R02.08.253.00	R02.08.254.00
32	Wire Guard	---	04.08.102.00	04.08.102.00	04.08.102.00	04.08.102.00	04.08.102.00	04.08.102.00
33	Infinite Control Switch	---	R02.19.018.00	R02.19.018.00	R02.19.019.00	R02.19.019.00	R02.19.019.00	R02.19.019.00
	Electrical Drawing	---	HS2-3539	HS2-3539	HS2-3541	HS2-3543	HS2-4161	HS2-4162

Shaded area reflects export models only.

\* Not Shown

**PARTS SPECIFIC TO MODEL GRCD-3PD**

ITEM	DESCRIPTION	100V	120V	120V CSA	220V	240V	220-230V CE	230-240V CE
8A	Glass Door, Inner	---	R00.01.0032.00	R00.01.0032.00	R00.01.0032.00	R00.01.0032.00	R00.01.0032.00	R00.01.0032.00
8B	Glass Door, Inner, Mirror	---	R00.01.0039.00	R00.01.0039.00	R00.01.0039.00	R00.01.0039.00	R00.01.0039.00	R00.01.0039.00
9A	Glass Door, Outer	---	R00.01.0031.00	R00.01.0031.00	R00.01.0031.00	R00.01.0031.00	R00.01.0031.00	R00.01.0031.00
9B	Glass Door, Outer, Mirror	---	R00.01.0040.00	R00.01.0040.00	R00.01.0040.00	R00.01.0040.00	R00.01.0040.00	R00.01.0040.00
10	Relay	---	---	---	---	---	---	---
11	Heating Element, Base (Qty. 2)	---	02.05.293.00	02.05.293.00	02.05.294.00	02.05.294.00	02.05.294.00	02.05.294.00
12	Heating Element, Water	---	---	---	---	---	---	---
13	Terminal Block, 3-Pole*	---	---	---	---	---	02.15.030.00	02.15.030.00
14	High Limit, Automatic	---	---	---	---	---	---	---
15	High Limit, Manual*	---	---	---	---	---	---	---
16	Power Cord with Plug	---	R02.18.030.00	R02.18.083.00	02.18.077.00	02.18.068.00	02.18.077.00	02.18.068.00
17	On/Off Switch	---	02.19.016.00	02.19.016.00	02.19.006.00	02.19.006.00	02.19.006.00	02.19.006.00
18	Indicator Light, Red	---	02.19.154.00	02.19.154.00	02.19.151.00	02.19.151.00	---	---
	Indicator Light, Yellow	---	---	---	---	---	---	---
19	Indicator Light, Green	---	---	---	---	---	02.19.150.00	02.19.150.00
20	Rubber Boot, Toggle Switch	---	---	---	---	---	02.20.040.00	02.20.040.00
21	Strain Relief	---	02.20.206.00	02.20.212.00	02.20.212.00	02.20.212.00	02.20.212.00	02.20.212.00
22	Light Bulb (Qty. 6)	---	02.30.043.00	02.30.043.00	02.30.058.00	02.30.058.00	02.30.058.00	02.30.058.00
23	Pan Rail	---	04.22.031.00	04.22.031.00	04.22.031.00	04.22.031.00	04.22.031.00	04.22.031.00
24	Pan Divider (optional)	---	04.22.400.00	04.22.400.00	04.22.400.00	04.22.400.00	04.22.400.00	04.22.400.00
25	Water Trough	---	---	---	---	---	---	---
26	Pan Enclosure, 2 Pan (optional)	---	04.22.406.00	04.22.406.00	04.22.406.00	04.22.406.00	04.22.406.00	04.22.406.00
27	Pan Enclosure, 1 Pan*	---	04.22.407.00	04.22.407.00	04.22.407.00	04.22.407.00	04.22.407.00	04.22.407.00
28	End Glass	---	04.40.091.00	04.40.091.00	04.40.091.00	04.40.091.00	04.40.091.00	04.40.091.00
29	Curved Glass, Front	---	R04.40.096.00	R04.40.096.00	R04.40.096.00	R04.40.096.00	R04.40.096.00	R04.40.096.00
30	Rubber Foot, Pan Rail (Qty. 16)	---	05.06.039.00	05.06.039.00	05.06.039.00	05.06.039.00	05.06.039.00	05.06.039.00
31	Heating Element, Upper (Qty. 3)	---	R02.08.217.00	R02.08.217.00	R02.08.265.00	R02.08.265.00	R02.08.265.00	R02.08.265.00
32	Wire Guard (Qty. 3)	---	04.08.131.00	04.08.131.00	04.08.131.00	04.08.131.00	04.08.131.00	04.08.131.00
33	Infinite Control Switch (Qty. 2)	---	R02.19.018.00	R02.19.018.00	R02.19.019.00	R02.19.019.00	R02.19.019.00	R02.19.019.00
	Electrical Drawing	---	HS2-3312	HS2-3312	HS2-3423	HS2-3425	HS2-4169	HS2-4170

Shaded area reflects export models only.

\* Not Shown

**PARTS SPECIFIC TO MODEL GRCDH-3P**

ITEM	DESCRIPTION	100V	120V	120V CSA	220V	240V	220-230V CE	230-240V CE
8A	Glass Door, Inner	R00.01.0028.00	R00.01.0028.00	R00.01.0028.00	R00.01.0028.00	R00.01.0028.00	R00.01.0028.00	R00.01.0028.00
8B	Glass Door, Inner, Mirror	R00.01.0036.00	R00.01.0036.00	R00.01.0036.00	R00.01.0036.00	R00.01.0036.00	R00.01.0036.00	R00.01.0036.00
9A	Glass Door, Outer	R00.01.0027.00	R00.01.0027.00	R00.01.0027.00	R00.01.0027.00	R00.01.0027.00	R00.01.0027.00	R00.01.0027.00
9B	Glass Door, Outer, Mirror	R00.01.0035.00	R00.01.0035.00	R00.01.0035.00	R00.01.0035.00	R00.01.0035.00	R00.01.0035.00	R00.01.0035.00
10	Relay	02.01.088.00	02.01.088.00	02.01.088.00	02.01.180.00	02.01.105.00	02.01.180.00	02.01.105.00
11	Heating Element, Base (Qty. 3)	02.05.507.00	02.05.293.00	02.05.293.00	02.05.294.00	02.05.294.00	02.05.294.00	02.05.294.00
12	Heating Element, Water	02.05.508.00	02.05.295.00	02.05.295.00	02.05.296.00	02.05.296.00	02.05.296.00	02.05.296.00
13	Terminal Block, 3-Pole*	---	---	---	---	---	02.15.030.00	02.15.030.00
14	High Limit, Automatic	R02.16.036.00	R02.16.036.00	R02.16.036.00	R02.16.036.00	R02.16.036.00	R02.16.036.00	R02.16.036.00
15	High Limit, Manual*	02.16.071.00	02.16.071.00	02.16.071.00	02.16.071.00	02.16.071.00	02.16.071.00	02.16.071.00
16	Power Cord with Plug	R02.18.030.00	R02.18.030.00	R02.18.030.00	02.18.077.00	02.18.066.00	02.18.077.00	02.18.066.00
17	On/Off Switch	R02.19.016.00	02.19.016.00	02.19.016.00	02.19.008A.00	02.19.008A.00	02.19.008A.00	02.19.008A.00
18	Indicator Light, Red (Qty. 2)	02.19.154.00	02.19.154.00	02.19.154.00	02.19.151.00	02.19.151.00	---	---
	Indicator Light, Yellow	---	---	---	---	---	02.19.152.00	02.19.152.00
19	Indicator Light, Green	02.19.155.00	02.19.155.00	02.19.155.00	02.19.150.00	02.19.150.00	02.19.150.00	02.19.150.00
20	Rubber Boot, Toggle Switch	---	---	---	---	---	02.20.040.00	02.20.040.00
21	Strain Relief	02.20.206.00	02.20.206.00	02.20.206.00	02.20.212.00	02.20.212.00	02.20.212.00	02.20.212.00
22	Light Bulb (Qty. 3)	02.30.043.00	02.30.043.00	02.30.043.00	02.30.058.00	02.30.058.00	02.30.058.00	02.30.058.00
23	Pan Rail	---	---	---	---	---	---	---
24	Pan Divider (optional)	04.22.400.00	04.22.400.00	04.22.400.00	04.22.400.00	04.22.400.00	04.22.400.00	04.22.400.00
25	Water Trough	04.22.403.00	04.22.403.00	04.22.403.00	04.22.403.00	04.22.403.00	04.22.403.00	04.22.403.00
26	Pan Enclosure, 2 Pan (optional)	04.22.406.00	04.22.406.00	04.22.406.00	04.22.406.00	04.22.406.00	04.22.406.00	04.22.406.00
27	Pan Enclosure, 1 Pan*	04.22.407.00	04.22.407.00	04.22.407.00	04.22.407.00	04.22.407.00	04.22.407.00	04.22.407.00
28	End Glass (Qty. 2)	04.40.105.00	04.40.105.00	04.40.105.00	04.40.105.00	04.40.105.00	04.40.105.00	04.40.105.00
29	Curved Glass, Front	R04.40.107.00	R04.40.107.00	R04.40.107.00	R04.40.107.00	R04.40.107.00	R04.40.107.00	R04.40.107.00
30	Rubber Foot, Pan Rail	---	---	---	---	---	---	---
31	Heating Element, Upper	R02.08.567.00	R02.08.216.00	R02.08.216.00	R02.08.253.00	R02.08.254.00	R02.08.253.00	R02.08.254.00
32	Wire Guard	04.08.102.00	04.08.102.00	04.08.102.00	04.08.102.00	04.08.102.00	04.08.102.00	04.08.102.00
33	Infinite Control Switch (Qty. 2)	R02.19.160.00	R02.19.018.00	R02.19.018.00	R02.19.019.00	R02.19.019.00	R02.19.019.00	R02.19.019.00
	Electrical Drawing	HS2-5850	HS2-3545	HS2-3545	HS2-3547	HS2-3549	HS2-4165	HS2-4166

Shaded area reflects export models only.

\* Not Shown

**PARTS SPECIFIC TO MODEL GRCDH-3PD**

ITEM	DESCRIPTION	100V	120V	120V CSA	220V	240V	220-230V CE	230-240V CE
8A	Glass Door, Inner	---	R00.01.0032.00	R00.01.0032.00	R00.01.0032.00	R00.01.0032.00	R00.01.0032.00	R00.01.0032.00
8B	Glass Door, Inner, Mirror	---	R00.01.0039.00	R00.01.0039.00	R00.01.0039.00	R00.01.0039.00	R00.01.0039.00	R00.01.0039.00
9A	Glass Door, Outer	---	R00.01.0031.00	R00.01.0031.00	R00.01.0031.00	R00.01.0031.00	R00.01.0031.00	R00.01.0031.00
9B	Glass Door, Outer, Mirror	---	R00.01.0040.00	R00.01.0040.00	R00.01.0040.00	R00.01.0040.00	R00.01.0040.00	R00.01.0040.00
10	Relay	---	02.01.088.00	02.01.088.00	02.01.180.00	02.01.105.00	02.01.180.00	02.01.105.00
11	Heating Element, Base (Qty. 3)	---	02.05.293.00	02.05.293.00	02.05.294.00	02.05.294.00	02.05.294.00	02.05.294.00
12	Heating Element, Water	---	02.05.295.00	02.05.295.00	02.05.296.00	02.05.296.00	02.05.296.00	02.05.296.00
13	Terminal Block, 3-Pole*	---	---	---	---	---	02.15.030.00	02.15.030.00
14	High Limit, Automatic	---	R02.16.036.00	R02.16.036.00	R02.16.036.00	R02.16.036.00	R02.16.036.00	R02.16.036.00
15	High Limit, Manual*	---	02.16.071.00	02.16.071.00	02.16.071.00	02.16.071.00	02.16.071.00	02.16.071.00
16	Power Cord with Plug	---	R02.18.083.00	R02.18.039.00	02.18.077.00	02.18.068.00	02.18.077.00	02.18.068.00
17	On/Off Switch	---	02.19.016.00	02.19.016.00	02.19.006.00	02.19.006.00	02.19.006.00	02.19.006.00
18	Indicator Light, Red	---	02.19.154.00	02.19.154.00	02.19.151.00	02.19.151.00	---	---
	Indicator Light, Yellow	---	---	---	---	---	02.19.152.00	02.19.152.00
19	Indicator Light, Green	---	02.19.155.00	02.19.155.00	02.19.150.00	02.19.150.00	02.19.150.00	02.19.150.00
20	Rubber Boot, Toggle Switch	---	---	---	---	---	02.20.040.00	02.20.040.00
21	Strain Relief	---	02.20.212.00	02.20.209.00	02.20.212.00	02.20.212.00	02.20.212.00	02.20.212.00
22	Light Bulb (Qty. 6)	---	02.30.043.00	02.30.043.00	02.30.058.00	02.30.058.00	02.30.058.00	02.30.058.00
23	Pan Rail	---	---	---	---	---	---	---
24	Pan Divider (optional)	---	04.22.400.00	04.22.400.00	04.22.400.00	04.22.400.00	04.22.400.00	04.22.400.00
25	Water Trough	---	04.22.403.00	04.22.403.00	04.22.403.00	04.22.403.00	04.22.403.00	04.22.403.00
26	Pan Enclosure, 2 Pan (optional)	---	04.22.406.00	04.22.406.00	04.22.406.00	04.22.406.00	04.22.406.00	04.22.406.00
27	Pan Enclosure, 1 Pan*	---	04.22.407.00	04.22.407.00	04.22.407.00	04.22.407.00	04.22.407.00	04.22.407.00
28	End Glass	---	04.40.091.00	04.40.091.00	04.40.091.00	04.40.091.00	04.40.091.00	04.40.091.00
29	Curved Glass, Front	---	R04.40.096.00	R04.40.096.00	R04.40.096.00	R04.40.096.00	R04.40.096.00	R04.40.096.00
30	Rubber Foot, Pan Rail (Qty. 16)	---	---	---	---	---	---	---
31	Heating Element, Upper (Qty. 3)	---	R02.08.217.00	R02.08.217.00	R02.08.265.00	R02.08.265.00	R02.08.265.00	R02.08.265.00
32	Wire Guard (Qty. 3)	---	04.08.131.00	04.08.131.00	04.08.131.00	04.08.131.00	04.08.131.00	04.08.131.00
33	Infinite Control Switch (Qty. 3)	---	R02.19.018.00	R02.19.018.00	R02.19.019.00	R02.19.019.00	R02.19.019.00	R02.19.019.00
	Electrical Drawing	---	HS2-3311	HS2-3311	HS2-3424	HS2-3426	HS2-4173	HS2-4174

Shaded area reflects export models only.

\* Not Shown







## HATCO AUTHORIZED PARTS DISTRIBUTORS

### **ALABAMA**

Jones McLeod Appl. Svc.  
Birmingham 205-251-0159

### **ARIZONA**

Auth. Comm. Food Equip.  
Phoenix 602-234-2443  
Byassee Equipment Co.  
Phoenix 602-252-0402

### **CALIFORNIA**

Industrial Electric  
Huntington Beach 714-379-7100  
Chapman Appl. Service  
San Diego 619-298-7106  
P & D Appliance  
S. San Francisco 650-635-1900

### **COLORADO**

All City Service  
Denver 303-454-9500  
Hawkins Commercial Appliance  
Englewood 303-781-5548

### **DELAWARE**

Food Equipment Service  
Wilmington 302-996-9363

### **FLORIDA**

Whaley Foodservice Repair  
Jacksonville 904-725-7800  
Nass Service Co., Inc.  
Orlando 407-425-2681  
B.G.S.I.  
Pompano Beach 954-971-0456  
Comm. Appliance Service  
Tampa 813-663-0313

### **GEORGIA**

Southeastern Rest. Svc.  
Norcross 770-446-6177

### **HAWAII**

Burney's Comm. Service, Inc.  
Honolulu 808-848-1466  
Food Equip Parts & Service  
Honolulu 808-847-4871

### **ILLINOIS**

Parts Town  
Broadview 708-865-7278  
Eichenauer Elec. Service  
Decatur 217-429-4229  
Midwest Elec. Appl. Service  
Elmhurst 630-279-8000  
Cone's Repair Service  
Moline 309-797-5323

### **INDIANA**

Comm. Parts & Service, Inc.  
Indianapolis 317-545-9655

### **IOWA**

Electric Motor Service Co.  
Davenport 319-323-1823

### **KENTUCKY**

Comm. Parts & Service, Inc.  
Louisville 502-367-1788

### **LOUISIANA**

Chandlers Parts & Service  
Baton Rouge 225-272-6620

### **LOUISIANA (Continued)**

Bana Comm. Parts, Inc.  
Shreveport 318-631-6550

### **MARYLAND**

Electric Motor Service  
Baltimore 410-467-8080  
GCS Service, Inc.  
Silver Spring 301-585-7550

### **MASSACHUSETTS**

Ace Service Co., Inc.  
Needham 781-449-4220

### **MICHIGAN**

Commercial Kitchen Service  
Bay City 517-893-4561  
Bildons Appliance Service  
Detroit 248-478-3320  
Midwest Food Equip. Service  
Grandville 616-261-2000

### **MINNESOTA**

GCS Service  
Minneapolis 612-546-4221

### **MISSOURI**

GCS Service, Inc.  
Kansas City 816-920-5999  
Commercial Kitchen Services  
St. Louis 314-890-0700  
Kaemmerlen Parts & Service  
St. Louis 314-535-2222

### **NEBRASKA**

Anderson Electric  
Omaha 402-341-1414

### **NEVADA**

Burney's Commercial  
Las Vegas 702-736-0006  
Hi. Tech Commercial Service  
N. Las Vegas 702-649-4616

### **NEW JERSEY**

Jay Hill Repair  
Fairfield 973-575-9145  
Service Plus  
Flanders 973-691-6300

### **NEW YORK**

Acme American Repairs, Inc.  
Brooklyn 718-456-6544  
Alpro Service Co.  
Brooklyn 718-386-2515  
Appliance Installation  
Buffalo 716-884-7425  
Northern Parts Dist.  
Plattsburgh 518-563-3200  
J. B. Brady, Inc.  
Syracuse 315-422-9271

### **NORTH CAROLINA**

Authorized Appliance  
Charlotte 704-377-4501

### **OHIO**

Akron/Canton Comm. Svc. Inc.  
Akron 330-753-6635  
Certified Service Center  
Cincinnati 513-772-6600  
GCS Service  
Columbus 614-476-3225

### **OHIO (Continued)**

Electrical Appl. Repair Service  
Independence 216-459-8700  
E. A. Wichman Co.  
Toledo 419-385-9121

### **OKLAHOMA**

Hagar Rest. Service, Inc.  
Oklahoma City 405-235-2184  
Krueger, Inc.  
Oklahoma City 405-528-8883

### **OREGON**

Bressie Electric Co.  
Portland 503-231-7171  
Ron's Service, Inc.  
Portland 503-624-0890

### **PENNSYLVANIA**

Authorized Factory Service  
Coraopolis 412-262-2330  
FAST Comm. Appl. Service  
Philadelphia 215-288-4800  
GCS Service, Inc.  
Pittsburgh 412-787-1970  
K & D Service Co.  
Harrisburg 717-236-9039  
Elmer Schultz Services  
Philadelphia 215-627-5401  
Electric Repair Co.  
Reading 610-376-5444

### **RHODE ISLAND**

Marshall Electric Co.  
Providence 401-331-1163

### **SOUTH CAROLINA**

Whaley Foodservice Repair  
W. Columbia 803-791-4420

### **TENNESSEE**

Camp Electric  
Memphis 901-527-7543

### **TEXAS**

City Kitchen Service Co.  
Austin 512-719-4445  
Stove Parts Supply  
Fort Worth 817-831-0381  
Armstrong Repair Service  
Houston 713-666-7100  
Commercial Kitchen Repair Co.  
San Antonio 210-735-2811  
San Antonio Rest. Equip.  
San Antonio 210-532-1660

### **UTAH**

Peterson's Commercial Parts & Svc.  
Salt Lake City 801-487-3653

### **VIRGINIA**

Daubers  
Norfolk 757-855-4097  
Daubers  
Springfield 703-866-3600

### **WASHINGTON**

Restaurant Appl. Service  
Seattle 206-524-8200

### **WISCONSIN**

A.S.C., Inc.  
Madison 608-246-3160  
A.S.C., Inc.  
Milwaukee 414-543-6460

## HATCO CORPORATION

P.O. Box 340500, Milwaukee, WI 53234-0500 U.S.A.

(800) 558-0607 (414) 671-6350

Parts & Service Fax (800) 690-2966 Int'l. Fax (414) 671-3976

www.hatcocorp.com