



AC-500
HOT SURFACE IGNITION & I.I.D.SPARK IGNITION
VERTICALLY FIRED GAS CONVECTION OVEN
REPLACEMENT PARTS LIST



EFFECTIVE AUGUST 5, 2010

BLODGETT OVEN COMPANY, 44 Lakeside Avenue, Burlington, Vermont 05401 USA

Telephone: (802) 860-3700 (800) 331-5842 Fax: (802) 860-3732

www.blodgett.com

P/N 53074

Superseding All Previous Parts Lists.

The Company reserves the right to make substitution in the event that items specified are not available.

ERRORS: Descriptive and/or typographic errors are subject to correction.

www.blodgett.com

TABLE OF CONTENTS

SERIAL NUMBER IDENTIFICATION CODE: RC / RF / RE

SERIAL NUMBER LOCATION / KEY:

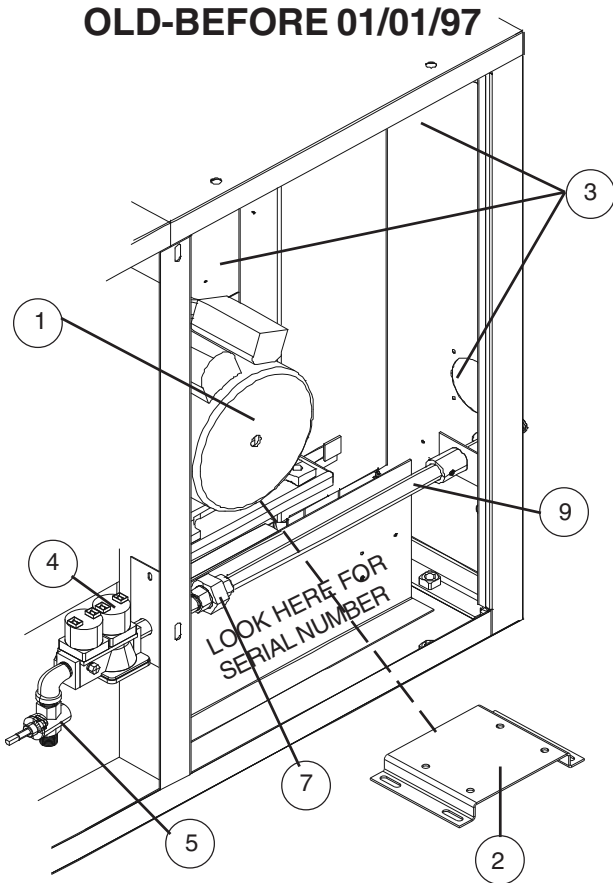
IMPORTANT: When ordering parts, please provide the model, gas type and serial number of the oven. The identification plate is located in the bottom of the motor compartment on the right hand side and, also, above the control panel under the ledge.

- ASAP Distributor Required Stocking Parts
- ◆ Doors Are Not Returnable

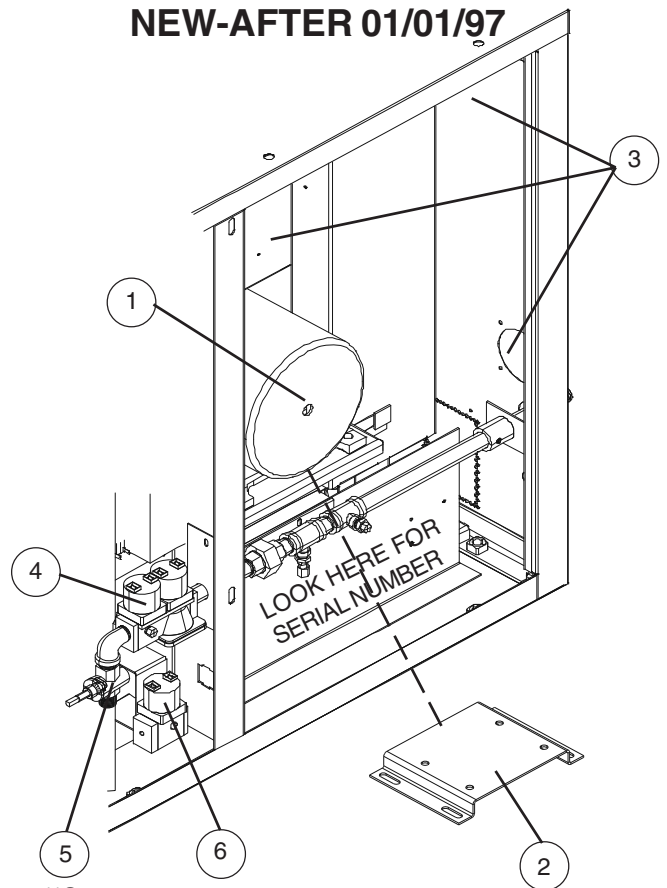
CONTENTS

| | |
|--|--------------------------------|
| <i>SIDE VIEW</i> | <i>PAGE 3</i> |
| <i>SOLID STATE MANUAL CONTROLS</i> | <i>PAGE 4</i> |
| <i>SOLID STATE DIGITAL CONTROLS</i> | <i>PAGE 5</i> |
| <i>INTELLIPLUS CONTROLS</i> | <i>PAGE 6</i> |
| <i>CH102 FAST CONTROLS</i> | <i>PAGE 7</i> |
| <i>GAS MANIFOLD ASSY, UNITS BEFORE 11/25/98</i> | <i>PAGE 8</i> |
| <i>GAS MANIFOLD ASSY, UNITS AFTER 11/25/98</i> | <i>PAGE 9</i> |
| <i>INTERIOR VIEW</i> | <i>PAGE 10</i> |
| <i>DOOR COMPONENTS, SINGLE DOOR OPTION</i> | <i>PAGE 11</i> |
| <i>DOOR COMPONENTS, DOUBLE DOOR OPTION</i> | <i>PAGE 12</i> |
| <i>EXTERIOR VIEWS</i> | <i>PAGE 13 & 14</i> |
| <i>EXCLUSIVE TO EXPORT</i> | <i>PAGE 15</i> |

SIDE VIEW, RIGHT HAND



NOTE:
Part is not depicted at actual size.

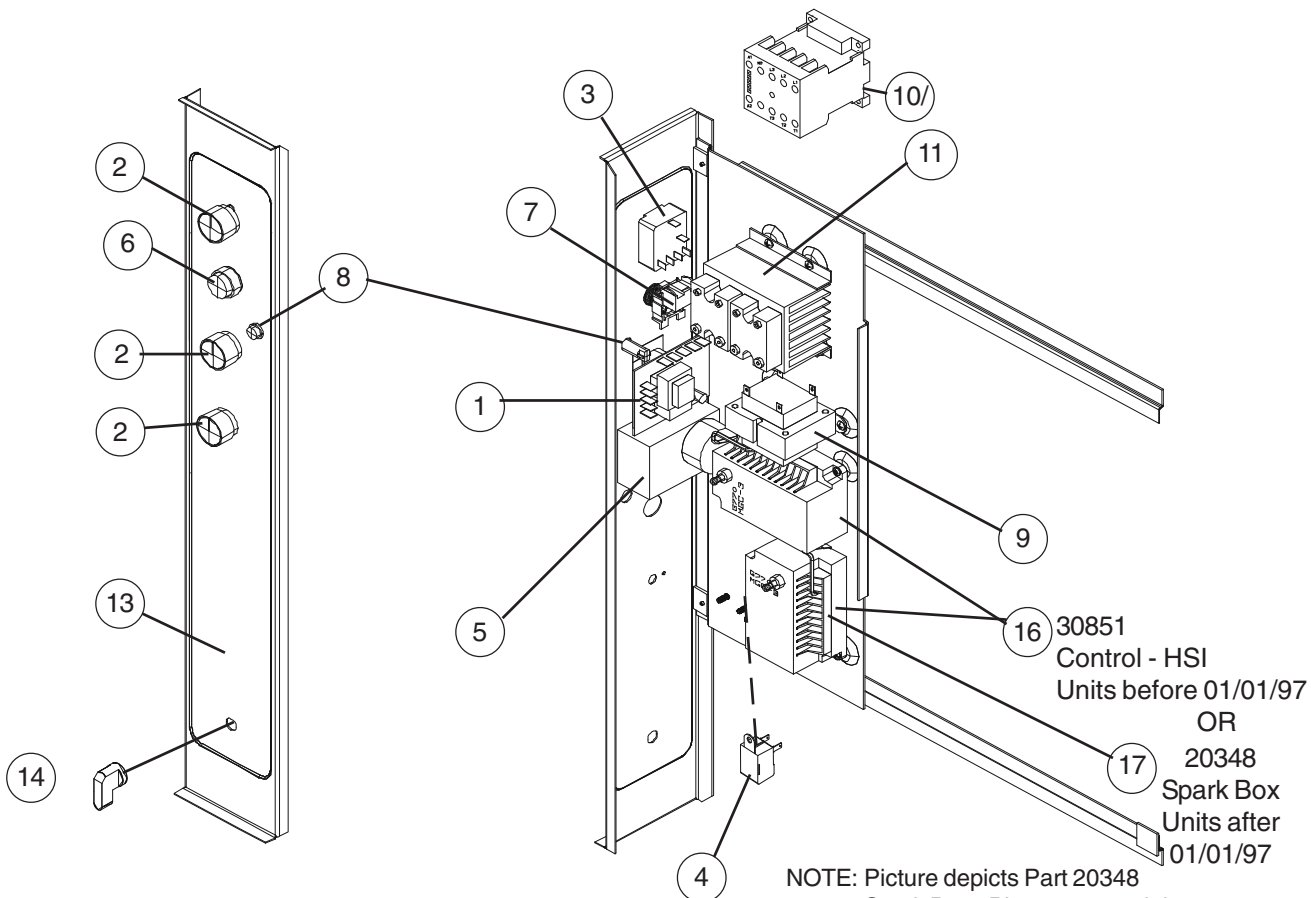


**See NOTE below.

NOTE:
Part is not depicted at actual size.

| Ref. No. | Part No. | Description |
|-----------------|-----------------|---|
| 1 | 30685 | Motor, 115V, 3/4 HP, 1 PH, 2 SP, 60 HZ (Qty 1) Units before 01/01/97 |
| 1 | 34111 | Motor, 115V, 3/4 HP, 1 PH, 2 SP, 60 HZ (Qty 1) Units after 01/01/97 |
| 2 | 31601 | Motor Adapter Bracket |
| | | NOTE: For units before 01/01/97 this bracket will not fit the Howell Motor. |
| | 3574 | Terminal Block, 65 AMP, 600V (Qty 1) |
| 3 | 21134 | Axial Fan, 115V, 3" (Qty 3) |
| | 22711 | Lug, Grounding & Screw (Qty 1) |
| 4 | 22190 | Dual Solenoid Valve/Pressure Regulator LP |
| 4 | M5495 | Dual Solenoid Valve/Pressure Regulator NAT |
| | 18612 | Spring, Solenoid Valve, Nat to LP (Qty 1) |
| | 23007 | Spring, Solenoid Valve, LP to Nat (Qty 1) |
| 5 | R4435 | Gas valve, manual |
| | R0364 | Knob, Square D, controls manual gas valve |
| 6 | R6490 | Pilot Valve, Units after 01/01/97 |
| 7 | 3807 | Union, for thru pipe Units before 01/01/97 |

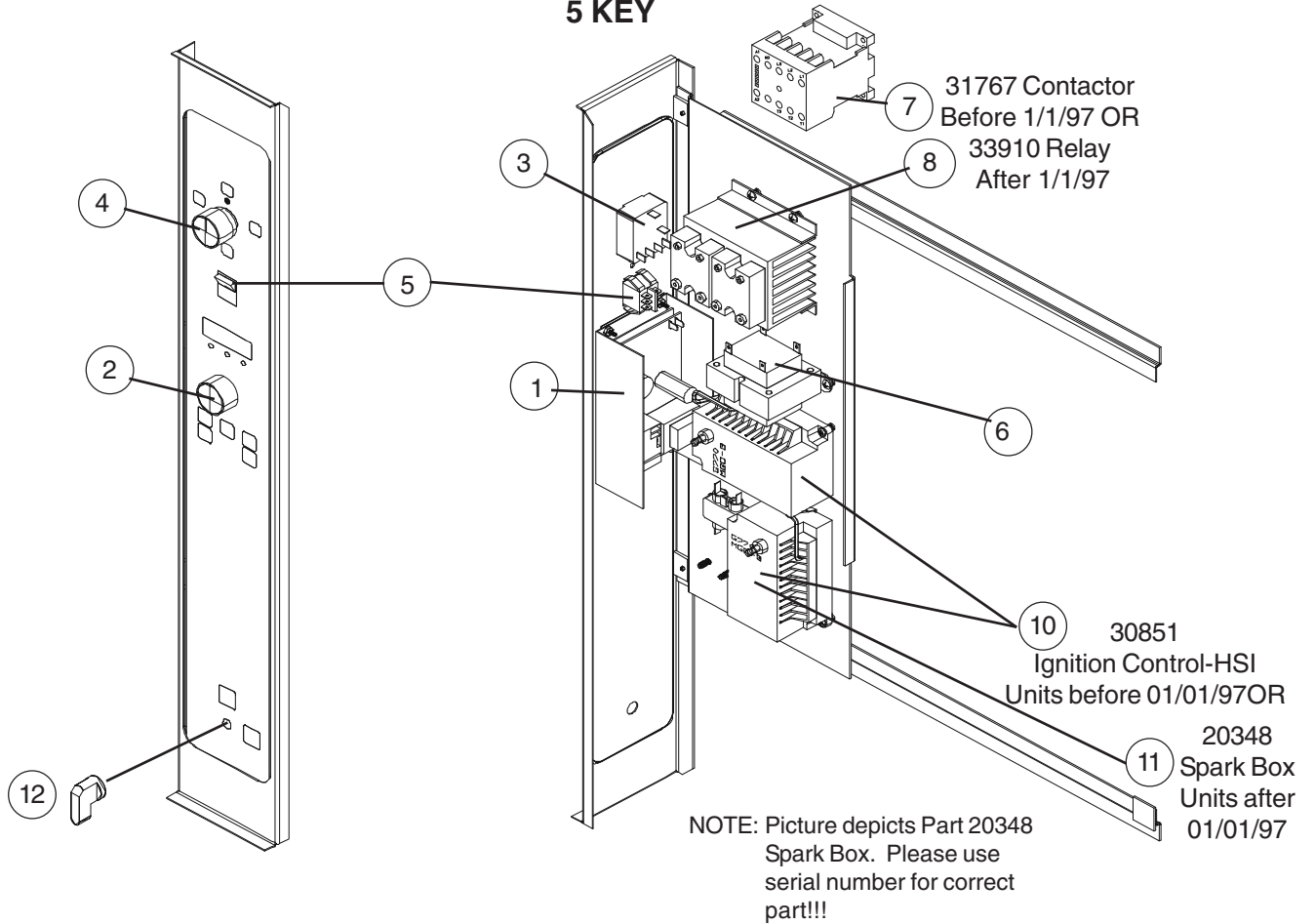
SOLID STATE MANUAL CONTROLS



| <u>Ref. No.</u> | <u>Part No.</u> | <u>Description</u> |
|-----------------|-----------------|--|
| 1 | 18578 | Controller, Temperature (Qty 1) |
| | 30712 | Probe, Temperature (Qty 1) |
| | 18234 | Potentiometer, Remote (Qty 1) |
| 2 | 24684 | Knob, Temperature (Qty 1) |
| 3 | 21068 | Mode Selector Switch (4 Position) (Qty 1) |
| 2 | 24684 | Knob, Mode Selector (Qty 1) |
| 4 | 20349 | Buzzer, 120V (Qty 1) |
| 5 | 18225 | Timer, 60 Minute, 120V, 60 HZ (Qty 1) |
| 2 | 24684 | Knob, Timer (Qty 1) |
| | 36755 | Thermal Switch SPDT, Units after 06/01/2003 |
| 6 | 18295 | Switch, Momentary for lights (Push-Button) (Qty 1) |
| 7 | 18296 | Contact Block, 6 Amp., 600V (Qty 1) |
| 8 | 18265 | Indicator Light, 28V, Red, Round (Qty 1) |
| 9 | 31274 | Transformer, 120V to 24V (Units before 01/01/97 use Qty 2 and Units after 01/01/97 use Qty 1) |
| 10 | 31767 | Contactor, 3 Pole, 120V Coil (Qty 1) Units before 01/01/97 |
| 11 | 33910 | Relay Assy Units after 01/01/97 |
| 13 | 31841 | Decal, Lexan Control (Manual) (Qty 1) |
| 14 | R0364 | Knob, Square D, controls manual gas valve |
| 15 | R4435 | Gas Valve, manual |
| | NOTE: | Gas valves are pictured on page 3 |
| 16 | 30851 | Ignition Control, Hot Surface Ignition Units before 01/01/97 |
| 17 | 20348 | Spark Box Units after 01/01/97 |

SOLID STATE DIGITAL CONTROLS (PICTURED WITH LIGHTS)

5 KEY

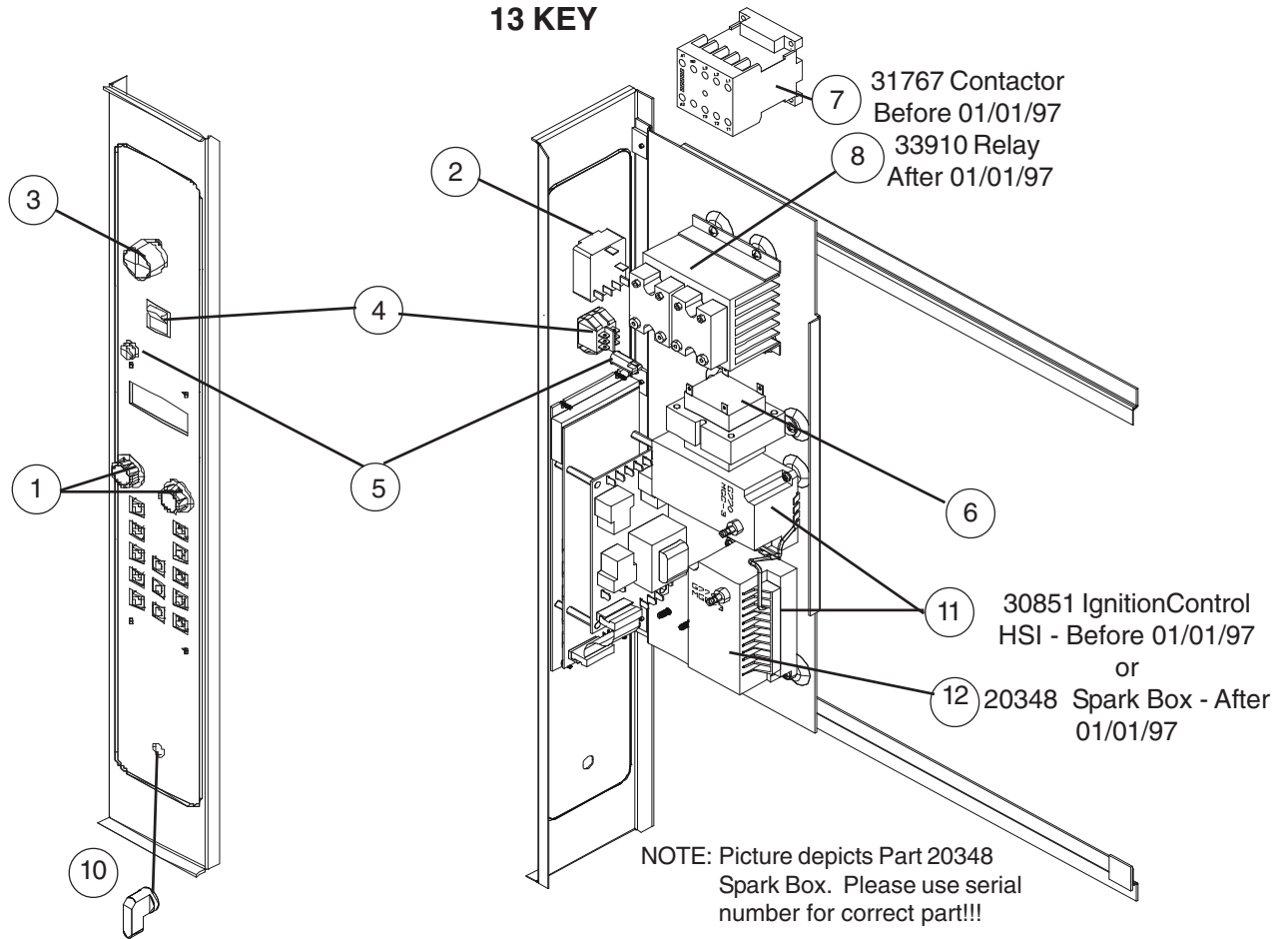


| Ref. No. | Part No. | Description |
|----------|----------|--|
| 1 | 30658 | Controller, Time & Temperature (Qty 1) |
| | 30712 | Probe, Temperature (Qty 1) |
| 2 | 24685 | Knob, Adjust Temperature (Qty 1) |
| 3 | 21068 | Mode Selector Switch (4 Position) (Qty 1) |
| 4 | 24684 | Knob, Mode Selector (Qty 1) |
| 5 | 19620 | Light Switch, Rocker (Momentary) (Qty 1) |
| | 36755 | Thermal Switch SPDT, Units after 06/01/2003 |
| 6 | 31274 | Transformer, 120V to 24V (Units before 01/01/97 use Qty 2 and Units after 01/01/97 use Qty 1) |
| 7 | 31767 | Contactor, 3 Pole, 120V Coil (Qty 1) Units before 01/01/97 |
| 8 | 33910 | Relay Assy (Qty 1) Units after 01/01/97 |
| 10 | 30851 | Ignition Control, Hot Surface Ignition Units before 01/01/97 |
| 11 | 20348 | Spark Box Units after 01/01/97 |
| 12 | R0364 | Knob, Square D, controls manual gas valve |
| | R4435 | Gas Valve, manual |

NOTE: Gas valves are pictured on page 3

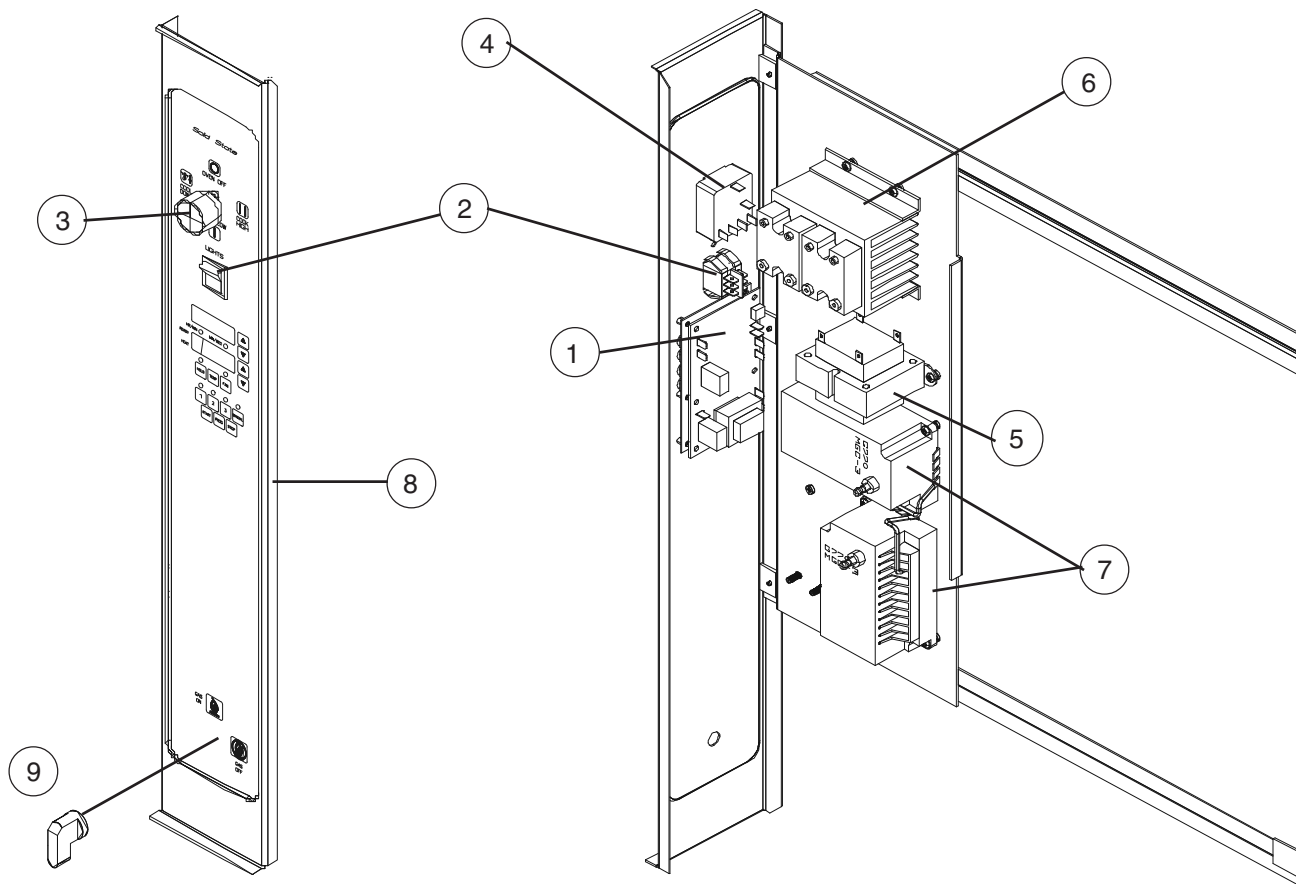
INTELLIPLUS CONTROLS

13 KEY

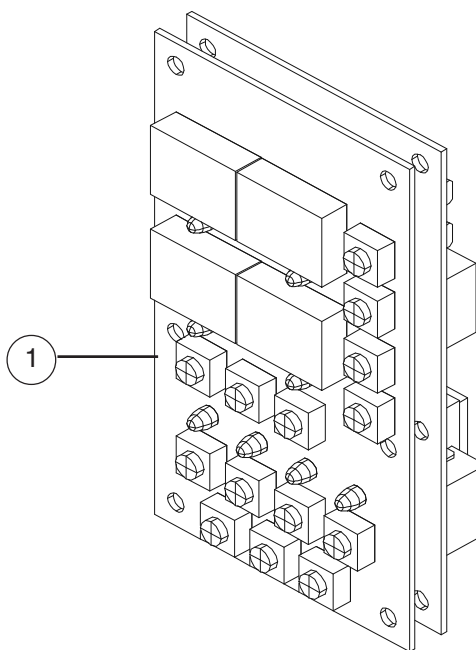


| Ref. No. | Part No. | Description |
|----------|--------------|--|
| | 31901 | Probe, Temperature (Qty 1) |
| 1 | 24181 | Knob, Control Time or Temperature (Qty 2) |
| 2 | 18868 | Mode Selector Switch (3 Position) (Qty 1) |
| 3 | 24684 | Knob, Mode Selector (Qty 1) |
| 4 | 19620 | Light Switch, Rocker, Momentary (Qty 1) |
| 5 | 18265 | Indicator Light, 28V, Red, Round (Qty 1) |
| 6 | 31274 | Transformer, 120V to 24V (Units before 01/01/97 use Qty 2 and Units after 01/01/97 use Qty 1) |
| 7 | 31767 | Contactors, 3 Pole, 120V Coil (Qty 1) Units before 01/01/97 |
| 8 | 33910 | Relay Assy (Qty. 1) Units after 01/01/97 |
| 10 | R0364 | Knob, Square D, controls manual gas valve |
| | R4435 | Gas Valve, manual Units before 01/01/97 |
| | R6490 | Pilot Valve Units after 01/01/97 |
| | NOTE: | Gas valves are pictured on page 3 |
| 11 | 30851 | Ignition Control, Hot Surface Ignition Units before 01/01/97 |
| 12 | 20348 | Spark Box Units after 01/01/97 |

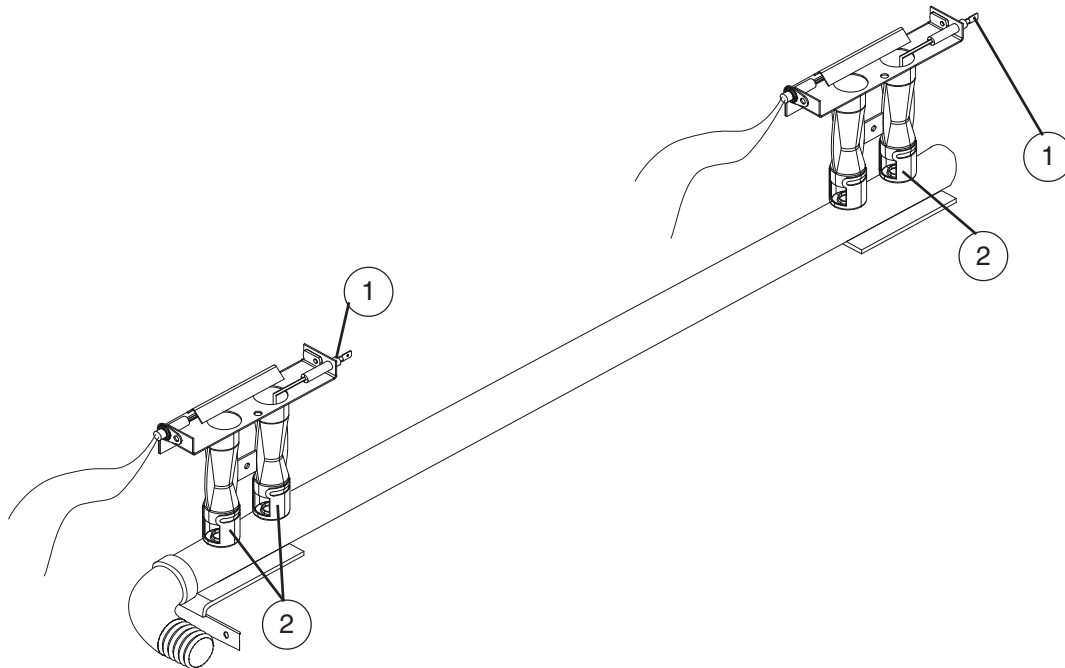
CH102 FAST CONTROLS (WITH LIGHTS) 14 KEY



| Ref. No. | Part No. | Description |
|----------|----------|---|
| 1 | 37087 | Controller, CH102 (14 Key) |
| | 34472 | Probe, RTD 12" |
| 2 | 19620 | Light Switch, Rocker, DPST, Momentary |
| 3 | 24685 | Knob, Adjust (Qty 1) |
| 4 | 21068 | Mode Selector Switch (4 Position) (Qty 1) |
| 5 | 31274 | Transformer, 120V to 24V (Qty 1) |
| | 36755 | Thermal Switch SPDT, Units after 06/01/2003 |
| 6 | 33910 | Relay Assy (Qty 1) |
| 7 | 20348 | Spark Box Assy, Nat & LP (Qty 2) |
| | 34689 | Capacitor Assy, Snubber CH102 control |
| 8 | 36056 | Control Panel & Decal Assy, CH102 |
| 9 | R0364 | Knob, Square D, controls manual gas valve |

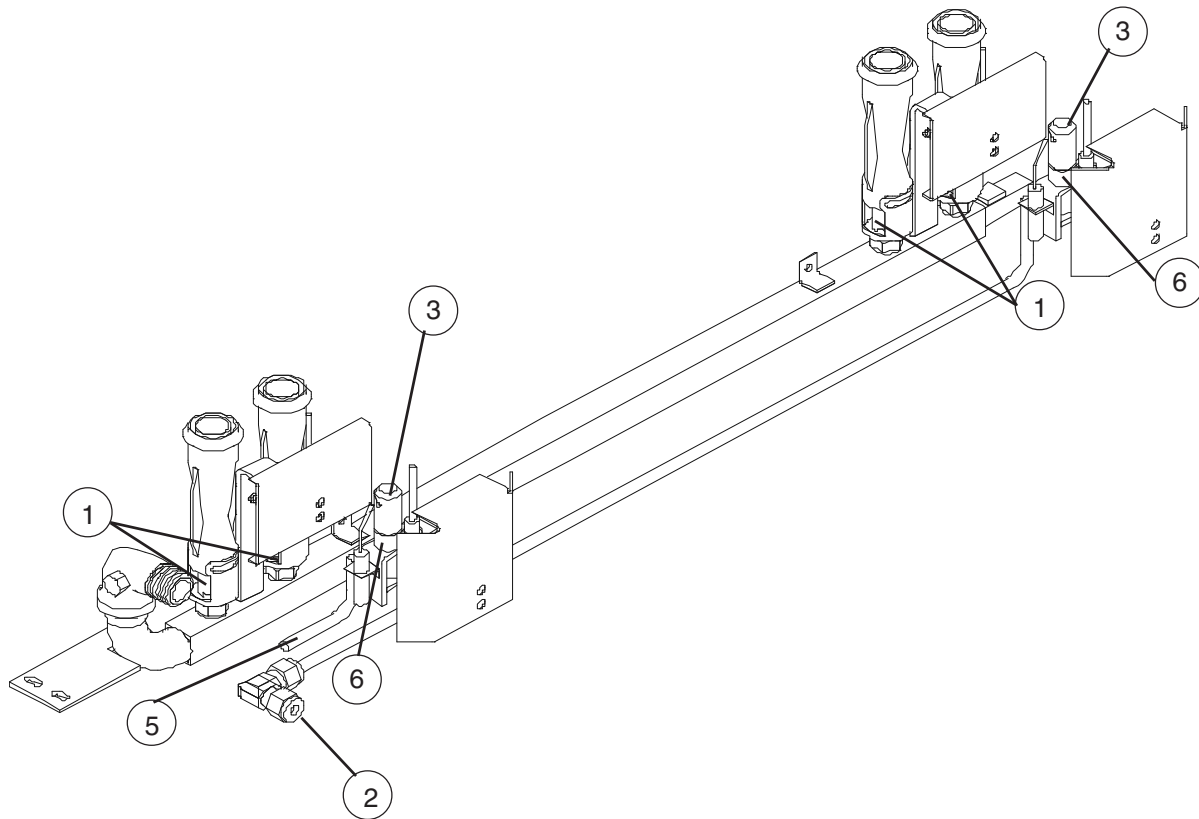


**GAS MANIFOLD ASSEMBLY
FOR UNITS BEFORE 11/25/98
SERIAL NUMBER 112598RF008T**



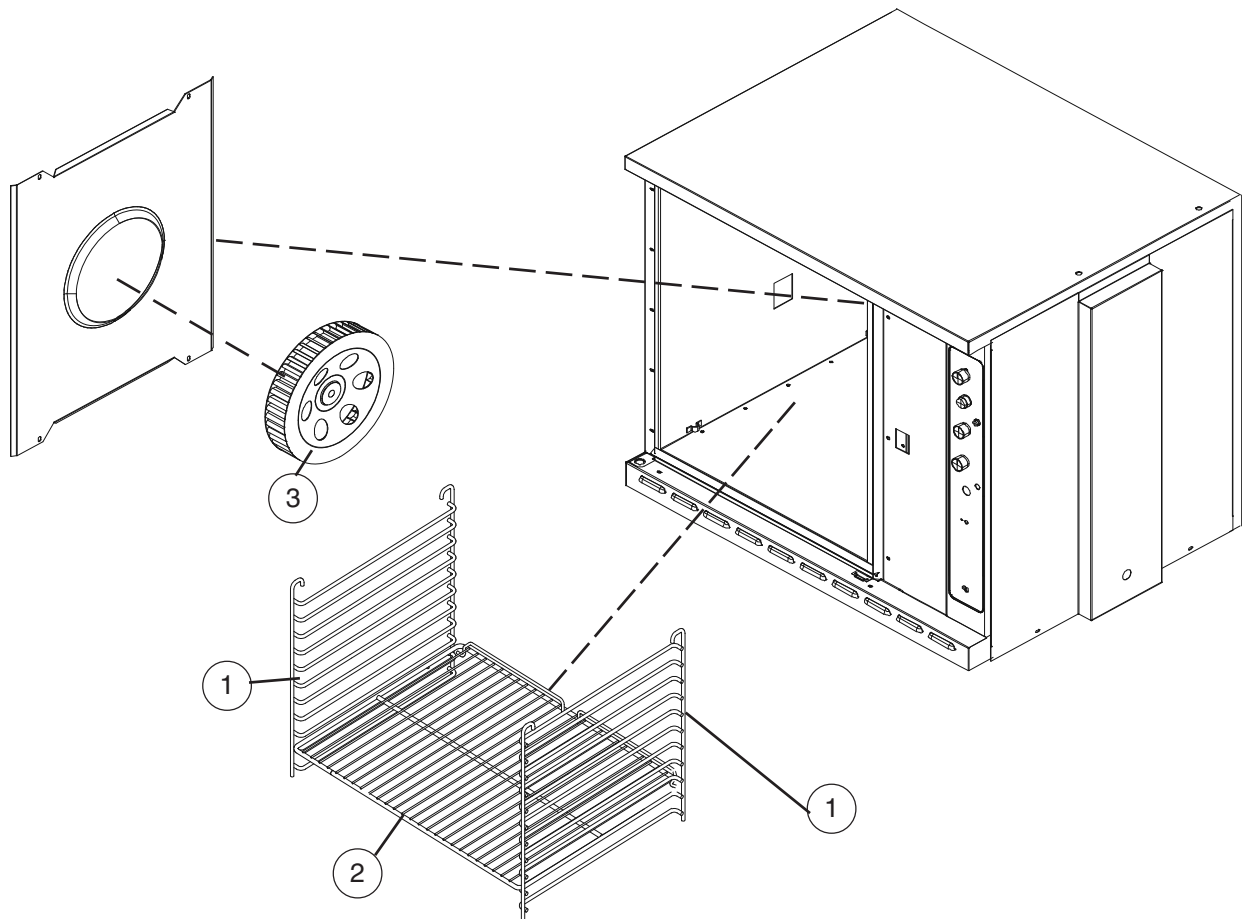
| Ref. No. | Part No. | Description |
|-----------------|-----------------|---|
| 1 | 31331 | Probe, Flame Sensing (Qty 2) |
| 2 | 30943 | Orifice, Main Burner, Nat (MTD #46) (Qty 4) |
| 2 | 31828 | Orifice, Main Burner, LP (MTD #55) (Qty 4) |
| | 33052 | Relay & Hardware 24V, for Gas sytem shutoff |

GAS MANIFOLD ASSEMBLY
FOR UNITS AFTER 11/25/98
SERIAL NUMBER 112598RF008T



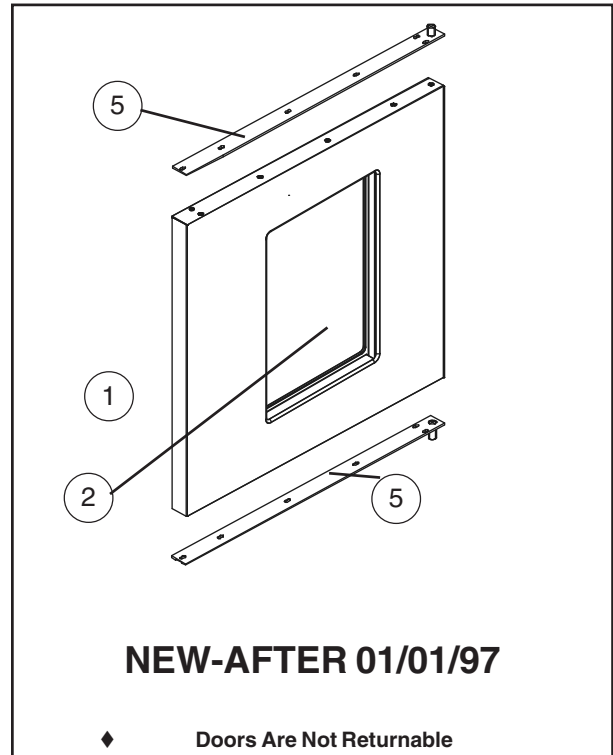
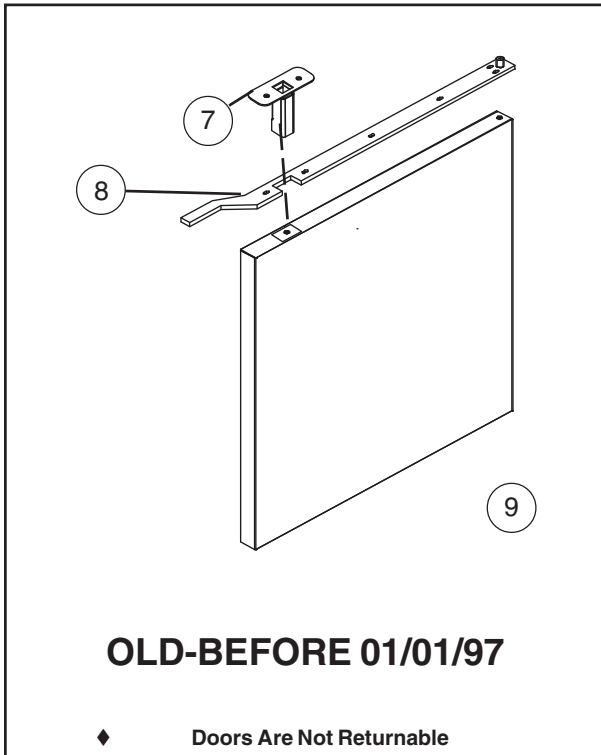
| Ref. No. | Part No. | Description |
|-----------------|-----------------|---|
| 1 | 30943 | Orifice, Main Burner, Nat (MTD #46) (Qty 4) |
| 1 | 31828 | Orifice, Main Burner, LP (MTD #55) (Qty 4) |
| 2 | M2799 | Elbow, Union Compression |
| 3 | 34282 | Pilot Ignitor Assy (Qty 2) |
| 5 | 33488 | Tubing, Flex 12" (Qty 1) |
| 6 | M0697 | Pilot Orifice Nat (Qty 2) |
| 6 | M2690 | Pilot Orifice LP (Qty 2) |

INTERIOR VIEW



| Ref. No. | Part No. | Description |
|-----------------|-----------------|--|
| | 30988 | Retainer, Probe Wire (Qty 2) |
| 1 | 30677 | Rack Support (Qty 2) |
| 2 | 30676 | Rack, Wire (27-3/8" x 23-5/16") (Each) |
| 3 | 30649 | Blower Wheel (Qty 1) |
| | 31741 | Bulb, Light 25W, 120V, (Qty 2) |
| | 35791 | Lens, Cover Light (Qty 2) |

DOOR COMPONENTS-SINGLE DOOR OPTION



Ref. Part No. No. Description

AFTER JANUARY 01, 1997

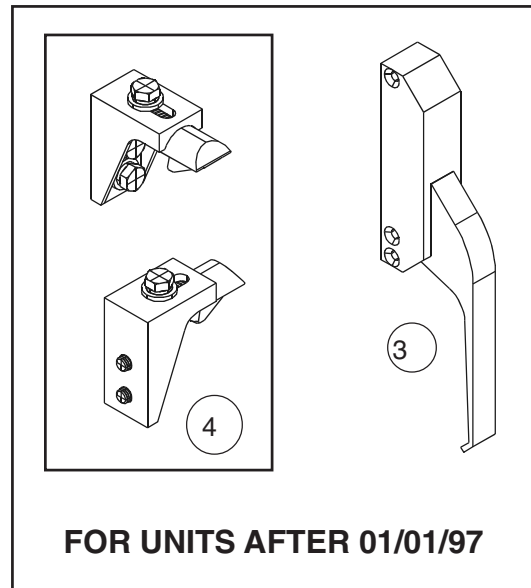
- 1 ◆ 33886 Door Assy, Glass (Qty 1)
- 2 31704 Glass Assy, Door (14" x 20") (Qty 1)
- 3 R6313 Handle
- 4 R2296 Catch & Latch Assy
- 20734 Microswitch Assy, Pictured on page 12
- 33907 Bracket, Door Switch
- 5 30761 Arm, Door Upper &/or Lower (Qty 2)
- 31919 Gasket Assy, Perimeter Door (4 Piece) (Qty 1)
- 16470 Nameplate Assy., Blodgett 10" (Qty 1)

BEFORE JANUARY 01, 1997

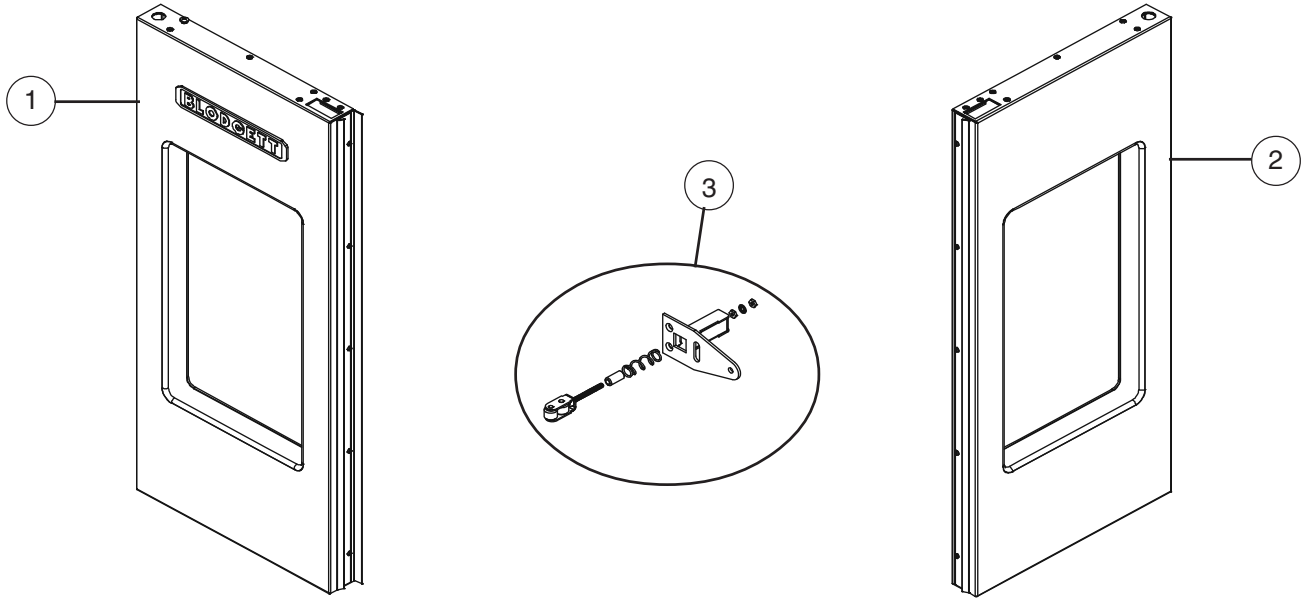
- 2 31704 Glass Assy, Door (14" x 20") (Qty 1)
- 7 17946 Catch Assy, Door (Qty 2)

NOTE: One is located on the top of the door and the other is located on the bottom of the door

- 31206 Plate, Striker Door Latch (Qty 2)
- 31240 Microswitch Assy, Door Pictured on page 12
- 8 35883 Arm, Door Upper (Qty 1)
- 90004 Bushings, Door Hinge (Set of 2)
- 31919 Gasket Assy, Perimeter Door (4 Piece) (Qty 1)
- Pictured on page 12
- 16470 Nameplate Assy., Blodgett 10" (Qty 1)

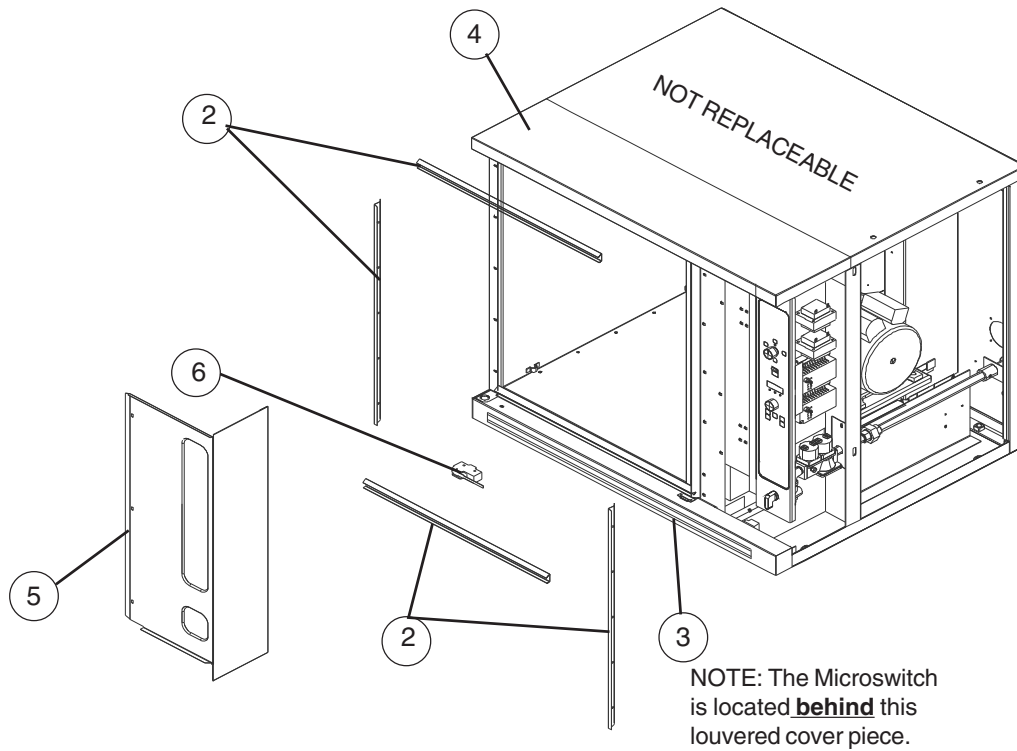


DOOR COMPONENTS
SPECIFIC TO DOUBLE DOOR OPTION

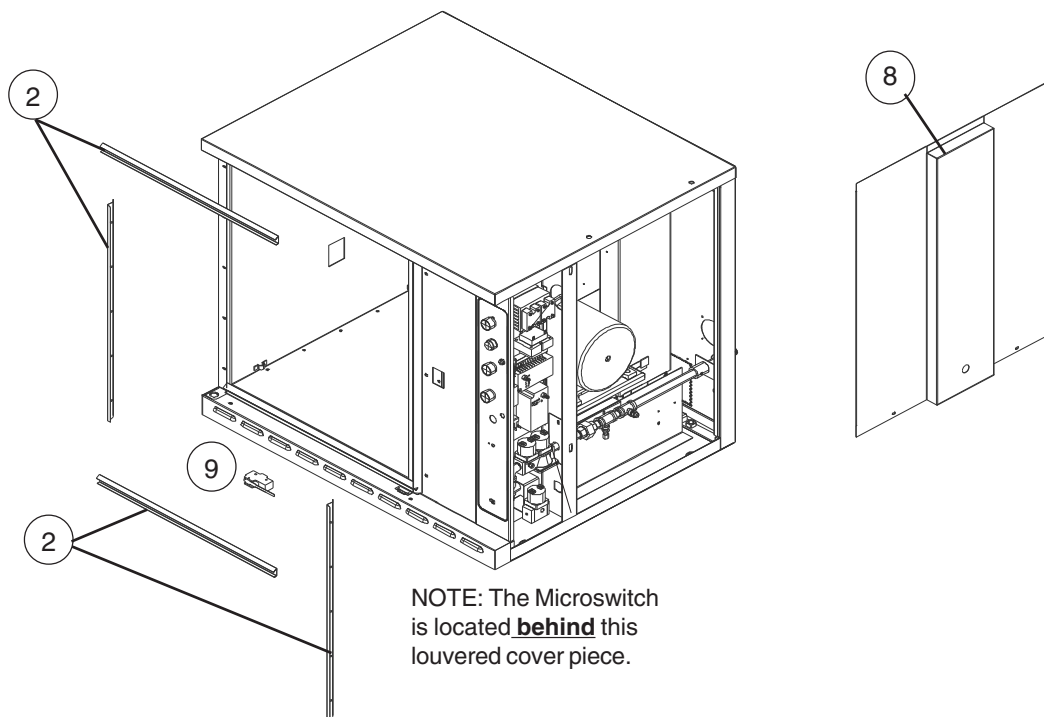


| Ref. No. | Part No. | Description |
|-----------------|-----------------|-----------------------------|
| 1 | ◆ 31721 | Door Assy, LH Glass (Qty 1) |
| 2 | ◆ 36113 | Door Assy, RH Glass (Qty 1) |
| 3 | 31753 | Catch Assy, Door |
| | 37305 | Microswitch Assy |
| | 36118 | Handle Assy, Qty 2 |
| | 31919 | Gasket Assy, Perimeter |
| | 37304 | Gasket Assy, Center |

EXTERIOR VIEW "OLD STYLE" BEFORE 01/01/97



EXTERIOR VIEW "NEW STYLE" AFTER 01/01/97



EXTERIOR OVEN COMPONENTS**SEE PICTURES ON PAGE 13**

| Ref. No. | Part No. | Description |
|-----------------|-----------------|---|
| | 7839 | Drafhood, Direct Venting, S/S (Qty 1) |
| | 7840 | Draft Diverter, Canopy Venting, S/S (Qty 1) |
| 2 | 31919 | Gasket Assy, Perimeter |
| | 21826 | Installation Hose, 36" |
| | 21242 | Installation Hose, 48" |
| | 31595 | Cord Set Assy, 6 Feet (Qty 1) |
| | 8598 | Legs, 25" w/ Bolts, S/S (Set of 4) |
| | 92000 | Studs, Leg (Set of 4) |
| | 7847 | Bolts, Leg (Set of 8) |
| | 16002 | Casters (Sgl Oven) (Set of 4) |
| | 19528 | Casters, Low Profile (Dbl Oven) (Set of 4) |
| | 33425 | Casters, Adjustable Low Profile (Dbl Oven) (Set of 4) |

BEFORE JANUARY 01, 1997, SEE PICTURES ON PAGE 12

| | | |
|---|-------|--|
| 2 | 30975 | Cover Assy, Combustion Compartment (Qty 1) |
| 4 | 30974 | Body Top, Front (Qty 1) |
| 5 | 30718 | Cover, Control (Qty 1) |

AFTER JANUARY 01, 1997, SEE PICTURES ON PAGE 12

| | | |
|----|-------|--|
| 8 | 33891 | Body Side, RH S/S (Qty 1) |
| 11 | 20734 | Microswitch Assy, Door (Qty 1) Units after 01/01/97 |

EXCLUSIVE TO EXPORT

| <u>Ref. No.</u> | <u>Part No.</u> | <u>Description</u> |
|-----------------|-----------------|---|
| | 32241 | Motor, 240V, 2 SP, 50/60 HZ |
| | 16037 | Indicator Light, 250V, Red, Round (Qty 1) CE |
| | 20084 | Timer, 60 Minute, 240V, 50 HZ (Qty 1) CE |
| | 18581 | Timer, Adjustable, 240V (Qty 1) CE |
| | 18439 | Potentiometer, Control (Humidaire) CE (Qty 1) |
| | 20350 | Buzzer, 240V (Qty 1) CEE |
| | R4435 | Gas Valve, Manual 1/2" (Qty 1) CE |
| | 53009 | Control, Hot Surface Ignitor (Qty 2) CE |
| | M2841 | Fitting, Pressure Tap (Qty 1) CE |